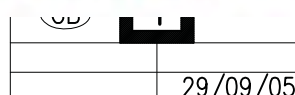


EQUIPAGGIAMENTI  
TECNICI  
LAVAGGIO

UGELLO ROTANTE  
ROTATING NOZZLE UR25

**LANDVÉLAR**



29/09/05

PATENT PENDING

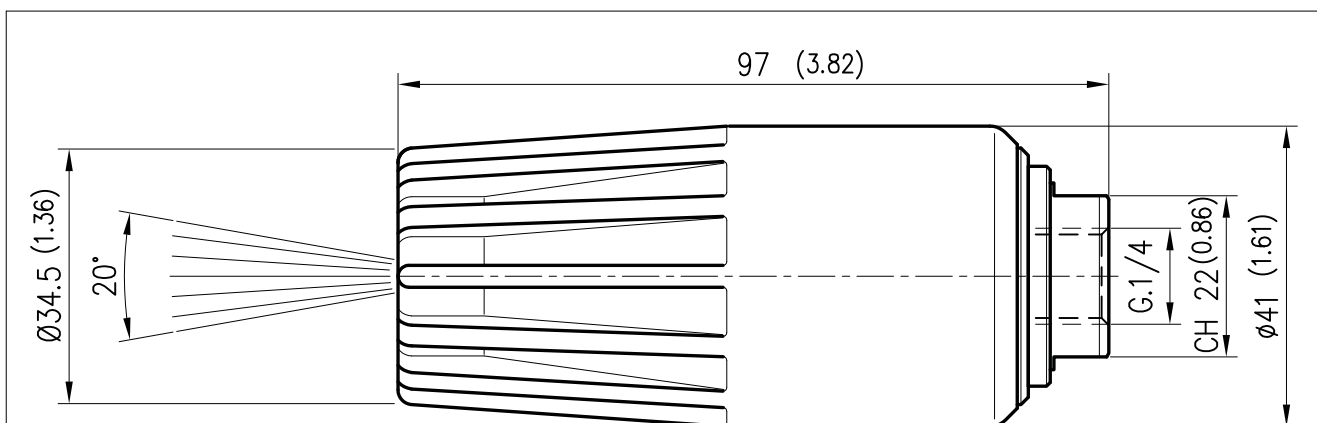


- ROBUSTA COSTRUZIONE IN OTTONE  
*STRONG BRASS STRUCTURE*
- SEDE E UGELLO IN CERAMICA AD ALTISSIMA RESISTENZA  
*HIGHLY SHOCK-RESISTANT CERAMIC SEAT AND NOZZLE*
- ALTO ASSORBIMENTO DEGLI URTI ACCIDENTALI GRAZIE ALLA PROTEZIONE IN PLASTICA 'BLU'  
*HIGH ABSORPTION OF ACCIDENTAL KNOCKS THANKS TO THE 'BLUE' PLASTIC PROTECTION*
- UTILIZZABILE IN OGNI POSIZIONE GRAZIE AL SISTEMA CON MOLLA INTERNA CHE ELIMINA I GIOCHI TRA SEDE E UGELLO.  
*CAN BE USED IN ANY POSITION THANKS TO THE SYSTEM EQUIPPED WITH INTERNAL SPRING ELIMINATING THE CLEARANCE BETWEEN SEAT AND NOZZLE.*

### SPECIFICHE TECNICHE - SPECIFICATIONS

- PRESSIONE NOMINALE <i>RATED PRESSURE</i>	250 bar - 25 MPa (3650 psi)
- PRESSIONE MINIMA DI UTILIZZO <i>MIN. OPERATING PRESSURE</i>	80 bar - 8 MPa (1150 psi)
- PORTATA MINIMA <i>MIN. FLOW</i>	6 L/min (1.6 USGp.m.) 80 bar - 8 MPa (1150 psi) ugello (nozzle) 03
- PORTATA MASSIMA <i>MAX FLOW</i>	29 L/min (7.7 USGp.m.) 250 bar - 25 MPa (3650 psi) ugello (nozzle) 08
- TEMPERATURA MINIMA <i>MIN. WORKING TEMPERATURE</i>	5° C (41°F)
- TEMPERATURA MASSIMA <i>MAX WORKING TEMPERATURE</i>	100° C (212 °F)
- PESO <i>WEIGHT</i>	0.41 Kg (14.46 oz)

### MISURE D'INGOMBRO - OVERALL DIMENSIONS

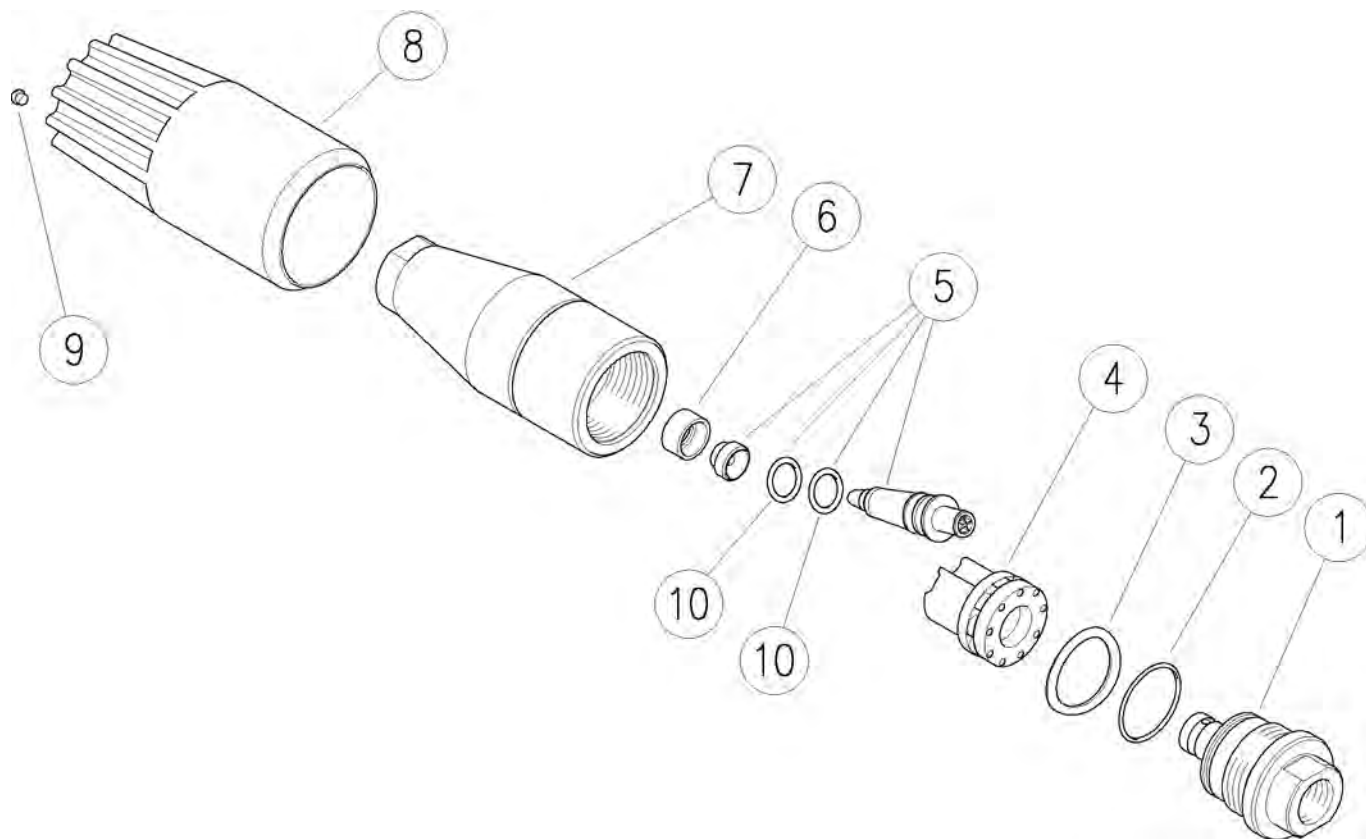


CODICE <i>CODE</i>	FATTORE DI PORTATA <i>CAPACITY SIZE</i>
25.1620.30	03
25.1620.35	035
25.1620.40	04
25.1620.45	045
25.1620.50	05

CODICE <i>CODE</i>	FATTORE DI PORTATA <i>CAPACITY SIZE</i>
25.1620.55	055
25.1620.60	06
25.1620.65	065
25.1620.70	07
25.1620.80	08

25.1620.30 UR25-03 Ug.rot.250bar, bian.  
 25.1620.35 UR25-035 Ug.rot.250bar, marr.  
 25.1620.40 UR25-04 Ug.rot.250bar, gial.sc.  
 25.1620.45 UR25-045 Ug.rot.250bar, blu  
 25.1620.50 UR25-05 Ug.rot.250bar, viola ch.

25.1620.55 UR25-055 Ug.rot.250bar, ros.sc.  
 25.1620.60 UR25-06 Ug.rot.250bar, ver.sc.  
 25.1620.65 UR25-065 Ug.rot.250bar, cel.  
 25.1620.70 UR25-07 Ug.rot.250bar, aranc.  
 25.1620.80 UR25-08 Ug.rot.250bar, argen.

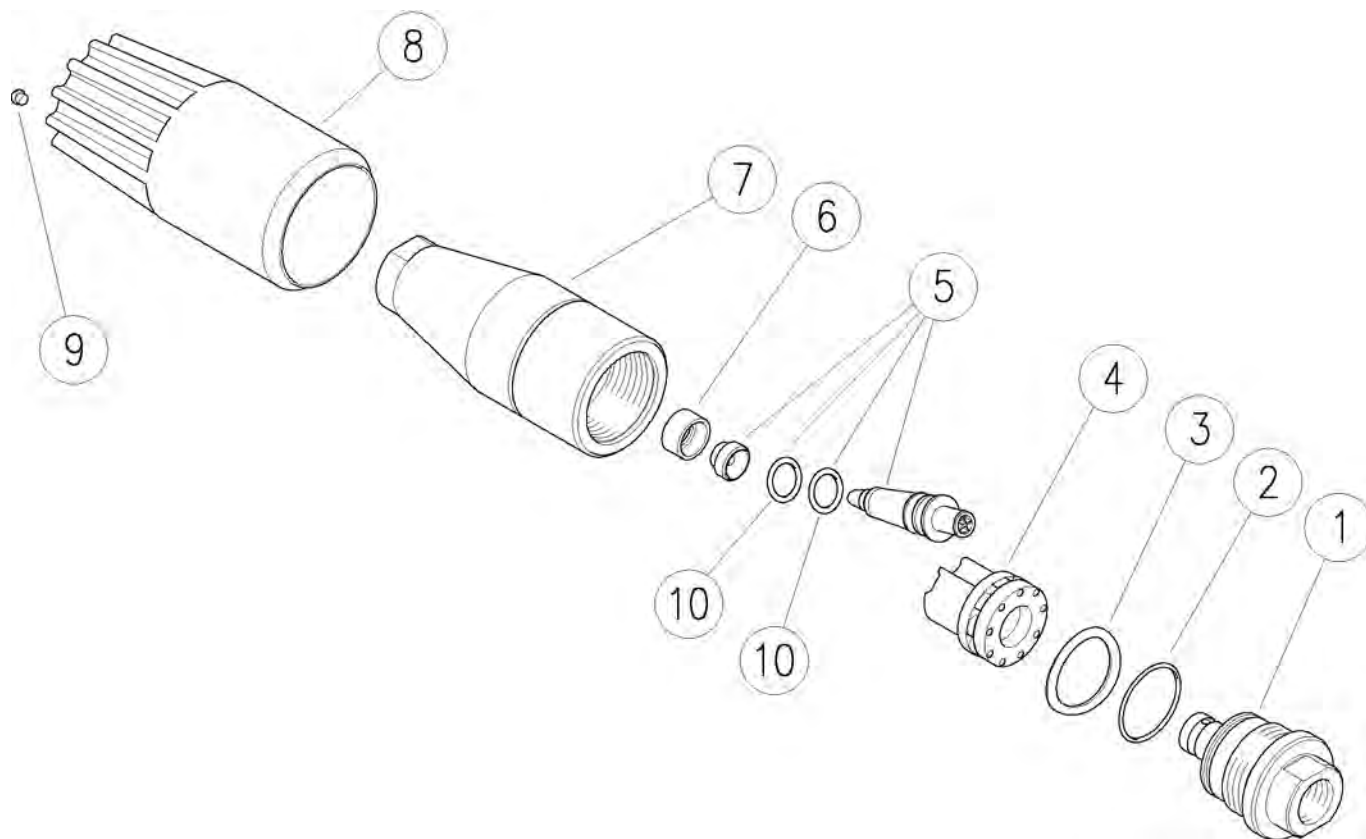


Pos.	Codice	Descrizione	Q.tà	K1	K2	K3	K4	Pos.	Codice	Descrizione	Q.tà	K1	K2	K3	K4
1	25.1662.31	Raccordo G1/4F (1)	1				3	5	25.1633.24	Kit ric. UR16.035/UR25.04/UR32.04 (2,3)	1				1
1	25.1632.31	Raccordo G1/4F-1,3mm ot. (2)	1				3	5	25.1637.24	Kit ric. UR16.04-045/UR25-32.045 (4)	1				1
1	25.1634.31	Raccordo G1/4F (3)	1				3	5	25.1638.24	Kit ric. UR16-25-32.05 (5)	1				1
1	25.1645.31	Raccordo G1/4F (4)	1				3	5	25.1668.24	Kit ric. UR16-25-32.055 (6)	1				1
1	25.1636.31	Raccordo G1/4F (5)	1				3	5	25.1639.24	Kit ric. UR16-25-32.06 (7)	1				1
1	25.1646.31	Raccordo G1/4F (6)	1				3	5	25.1640.24	Kit ric. UR16-25-32.065 (8)	1				1
1	25.1636.31	Raccordo G1/4F (7)	1				3	5	25.1641.24	Kit ric. UR16-25-32.07 (9)	1				1
1	25.1646.31	Raccordo G1/4F (8)	1				3	5	25.1669.24	Kit ric. UR16-25-32.08 (10)	1				1
1	25.1647.31	Raccordo G1/4F (9)	1				3	6	25.1624.85	Guarn. 7,2x12x6 mm PTFE	1				10
1	25.1661.31	Raccordo G1/4F (10)	1				3	7	25.1622.31	Corpo UR25	1				3
2	10.3072.01	An.OR 1,78x20,35 mm NI 85	1				10	8	25.1621.85	Manopola UR25 blu	1				3
3	25.1626.63	Rosetta 14,8x23x0,1mm Inox	1				5	9	15.2000.40	Chiodo 04 giallo scuro (3)	1				10
4	25.1631.22	Turbina	1				3	10	10.3230.00	An or 3,53 x 7,52 mm NI 70	2				10
5	25.1659.24	Kit ric. UR16.025/UR25-32.03 (1)	1				1								

(1) 25.1620.30 (2) 25.1620.35 (3) 25.1620.40 (4) 25.1620.45 (5) 25.1620.50 (6) 25.1620.55 (7) 25.1620.60 (8) 25.1620.65 (9) 25.1620.70 (10) 25.1620.80

25.1620.30 UR25-03 Rotat.nzl,250bar, white  
 25.1620.35 UR25-035 Rotat.nzl,250bar, brown  
 25.1620.40 UR25-04 Rotat.nzl,250bar, d. yellow  
 25.1620.45 UR25-045 Rotat.nzl,250bar, blue  
 25.1620.50 UR25-05 Rotat.nzl,250bar, l.purple

25.1620.55 UR25-055 Rotat.nzl,250bar, d. red  
 25.1620.60 UR25-06 Nzl.,rot.,250bar, d.green  
 25.1620.65 UR25-065 Rotat.nzl,250bar, l.blue  
 25.1620.70 UR25-07 Rotat.nzl,250bar, orange  
 25.1620.80 UR25-08 Rotat.nzl,250bar, silver



Pos.	P/N	Description	Q.ty	K1	K2	K3	K4	Pos.	P/N	Description	Q.ty	K1	K2	K3	K4
1	25.1662.31	Coupling, 1/4 F Bsp (1)	1				3	5	25.1633.24	Spares kit -UR16.035/UR25.04/UR32.04 (2,3)	1				1
1	25.1632.31	Coupling, 1/4 F Bsp-d.1,3 mm (2)	1				3	5	25.1637.24	Spares kit -UR16.04-045/UR25-32.045 (4)	1				1
1	25.1634.31	Coupling, 1/4 F Bsp (3)	1				3	5	25.1638.24	Spares kit -UR16-25-32.05 (5)	1				1
1	25.1645.31	Coupling, 1/4 F Bsp (4)	1				3	5	25.1668.24	Spares kit -UR16-25-32.055 (6)	1				1
1	25.1636.31	Coupling, 1/4 F Bsp (5)	1				3	5	25.1639.24	Spares kit -UR16-25-32.06 (7)	1				1
1	25.1646.31	Coupling, 1/4 F Bsp (6)	1				3	5	25.1640.24	Spares kit -UR16-25-32.065 (8)	1				1
1	25.1636.31	Coupling, 1/4 F Bsp (7)	1				3	5	25.1641.24	Spares kit -UR16-25-32.07 (9)	1				1
1	25.1646.31	Coupling, 1/4 F Bsp (8)	1				3	5	25.1669.24	Spares kit -UR16-25-32.08 (10)	1				1
1	25.1647.31	Coupling, 1/4 F Bsp (9)	1				3	6	25.1624.85	Seal, 7,2x12x6 mm PTFE	1				10
1	25.1661.31	Coupling, 1/4 F Bsp (10)	1				3	7	25.1622.31	Housing -UR25	1				3
2	10.3072.01	O-ring, 1,78x20,35 mm Ni 85	1				10	8	25.1621.85	Knob -UR25, blue	1				3
3	25.1626.63	Washer, 14,8x23x0,1mm Sst.	1				5	9	15.2000.40	Stud, 04 dark yellow (3)	1				10
4	25.1631.22	Turbine	1				3	10	10.3230.00	O-Ring, 3,53x7,52 mm Ni 70	2				10
5	25.1659.24	Spares kit -UR16.025/UR25-32.03 (1)	1				1								

(1) 25.1620.30 (2) 25.1620.35 (3) 25.1620.40 (4) 25.1620.45 (5) 25.1620.50 (6) 25.1620.55 (7) 25.1620.60 (8) 25.1620.65 (9) 25.1620.70 (10) 25.1620.80



P.A. S.p.A.

Via Milano, 13  
42048 Rubiera, Reggio Emilia - Italy

Tel +39.0522.623611  
Fax +39.0522.629600

[info@pa-etl.it](mailto:info@pa-etl.it)

[www.pa-etl.it](http://www.pa-etl.it)



COMPANY WITH QUALITY MANAGEMENT  
SYSTEM CERTIFIED BY DNV  
= ISO 9001 =