

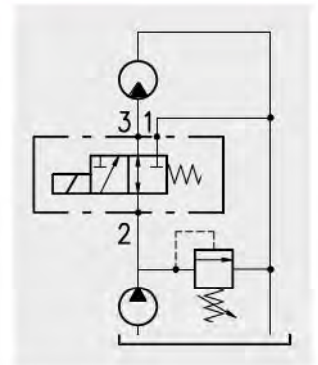
Operation

When the solenoid is deenergized the valve allows free oil flow from 3 to 2 and vice versa, while the way in 1 is sealed.

When the solenoid is energized the valve allows free oil flow from 2 to 1 and vice versa, while the way in 3 is sealed.

The way in 1 may not be used as discharge.

EJ08B/1 NOTE: in case of pressure in 1 greater than 100 bar -1450 psi ask our technical office for advise.



Performance

Cartridges

| Type | Maximum flow | | Maximum pressure | | Solenoids | *Oil leaks from 1 to 2 | Weight | | Cavities and tools |
|---------|--------------|--------|------------------|-------|----------------------|---|--------|------|------------------------------|
| | l/min | US gpm | bar | psi | | | kg | lb | |
| EJ08A/1 | 10 | 2.6 | 210 | 3050 | BE/EC36 see page 157 | 10 cm ³ /min. - 0.61 in ³ /min. at 210 bar - 3050 psi | 0,175 | 0.38 | See cavity SAE 8-3 page 172 |
| EJ10A/1 | 30 | 8 | | | BIN 19 see page 158 | 50 cm ³ /min. - 3.05 in ³ /min. at 210 bar - 3050 psi | 0,275 | 0.61 | See cavity SAE 10-3 page 172 |
| EJ12A/1 | 40 | 10.5 | | | BIN 22 see page 159 | 60 cm ³ /min. - 3.66 in ³ /min. at 210 bar - 3050 psi | 0,500 | 1.10 | See cavity SAE 12-3 page 172 |
| EJ08B/1 | 12 | 3.1 | | | BT vedi pag.155 | 14 cm ³ /min. - 0.85 in ³ /min. at 210 bar -3050 psi | 0,185 | 0.41 | See cavity SAE 8-3 page 172 |
| EJ08M/1 | 23** | 6* | 250** | 3600* | BE/EC36 see page 157 | 40 cm ³ /min. - 2.44 in ³ /min. at 250 bar -3600 psi | 0,125 | 0.27 | |

*With oil viscosity of 46 cst

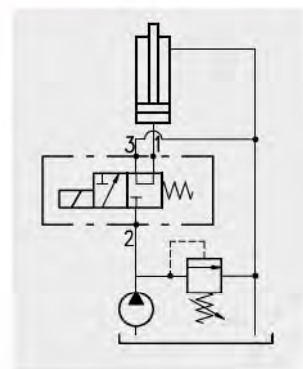
**see the performance limit diagram

Operation

When the solenoid is deenergized the valve allows free oil flow from 3 to 1 and vice versa, while the way in 2 is sealed.

When the solenoid is energized the valve allows free oil flow from 2 to 1 and vice versa, while the way in 3 is sealed.

The way in 1 may not be used as discharge.



Performance

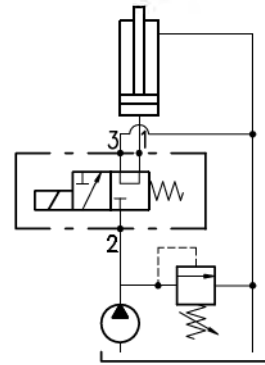
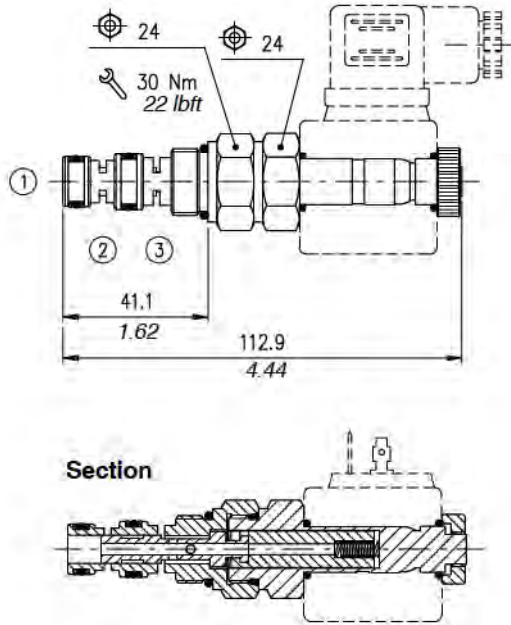
Cartridges

| Type | Maximum flow | | Maximum pressure | | Solenoids | *Oil leaks from 1 to 2 | Weight | | Cavities and tools |
|---------|--------------|--------|------------------|------|----------------------|--|----------------------|---|------------------------------|
| | l/min | US gpm | bar | psi | | | kg | lb | |
| EJ08A/2 | 7 | 1.8 | 210 | 3050 | BE/EC36 see page 157 | 10 cm ³ /min. - 0.61 in ³ /min. at 210 bar - 3050 psi | 0,175 | 0.38 | see cavity SAE 8-3 page 172 |
| EJ10A/2 | 30 | 8 | | | BIN 19 see page 158 | 100 cm ³ /min. - 0.61 in ³ /min. at 210 bar - 3050 psi | 0,275 | 0.61 | see cavity SAE 10-3 page 172 |
| EJ12A/2 | 40 | 10.5 | | | BIN 22 see page 159 | 60 cm ³ /min. - 3.66 in ³ /min. at 210 bar - 3050 psi | 0,500 | 1.10 | see cavity SAE 12-3 page 172 |
| EJ08B/2 | 12 | 3.2 | | | BT see page 155 | 14 cm ³ /min. - 0.85 in ³ /min. at 210 bar - 3050 psi | 0,185 | 0.41 | see cavity SAE 8-3 page 172 |
| EJ10B/2 | 20 | 5.3 | | | BC 16 see page 160 | 30 cm ³ /min. - 1.83 in ³ /min. at 210 bar - 3050 psi | 0,285 | 0.63 | see cavity SAE 10-3 page 172 |
| EJ08M/2 | 25** | 6.6** | | | 250** | 3600** | BE/EC36 see page 157 | 40 cm ³ /min. - 2.44 in ³ /min. at 250 bar - 3600 psi | 0,125 |

*with oil viscosity of 46 cst

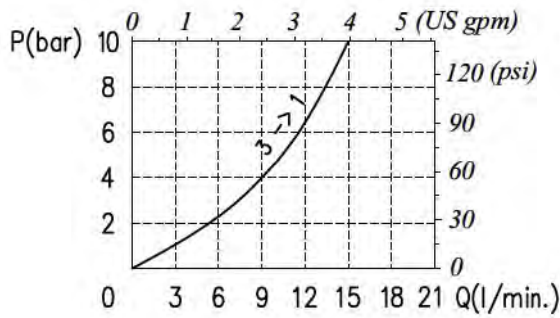
**see the performance limit diagram

Dimensions and hydraulic circuit

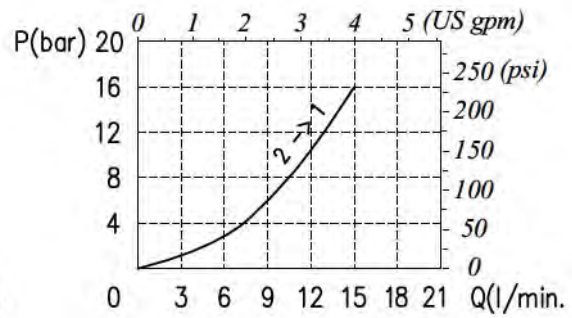


Rating diagrams

Typical pressure drop vs. flow characteristics



Typical pressure drop vs. flow characteristics



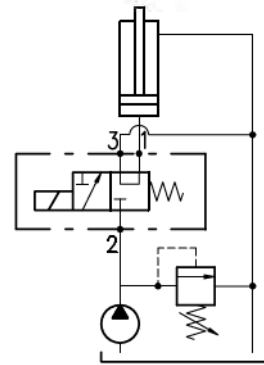
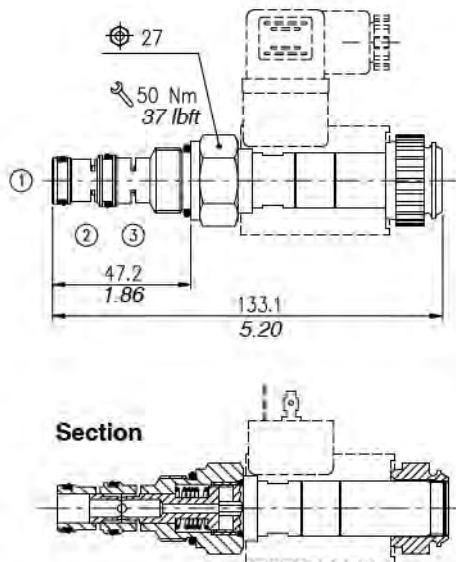
Order code

EJ 08A / 20 N □

Seals

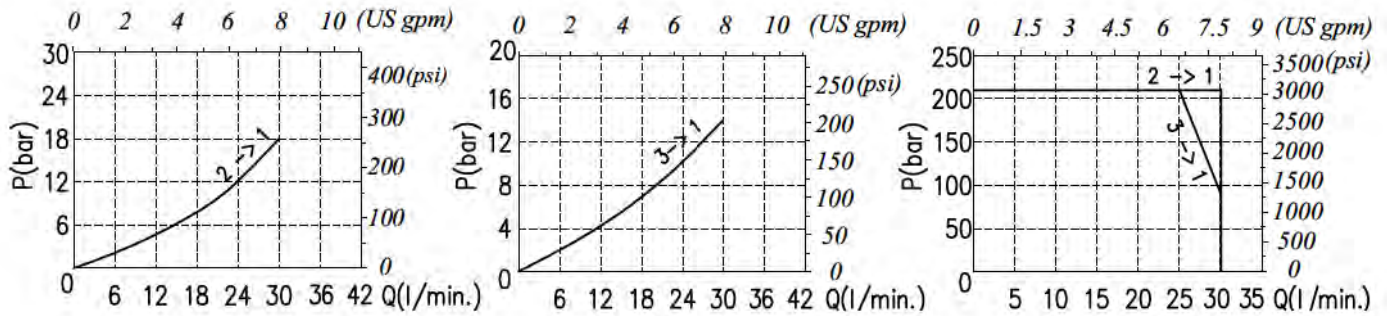
B) Buna
V) Viton

Dimensions and hydraulic circuit



Rating diagrams

Typical pressure drop vs. flow characteristics



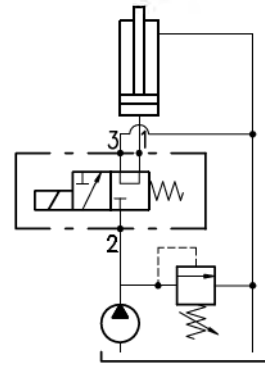
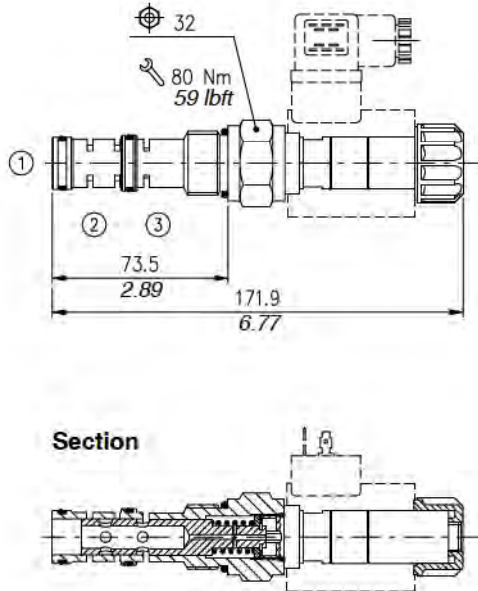
Order code

EJ 10A / 20 P □

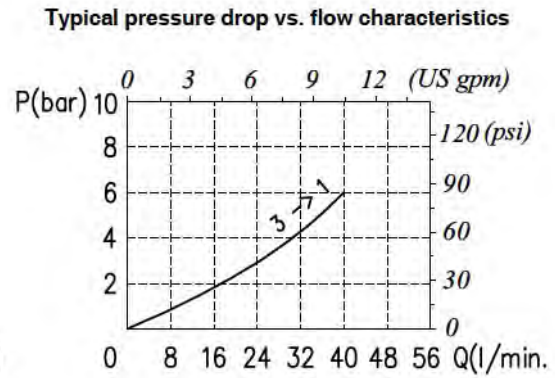
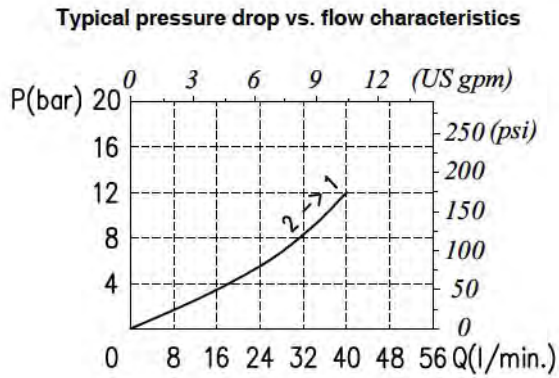
Seals

B) Buna
V) Viton

Dimensions and hydraulic circuit



Rating diagrams



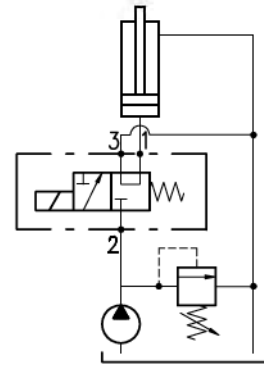
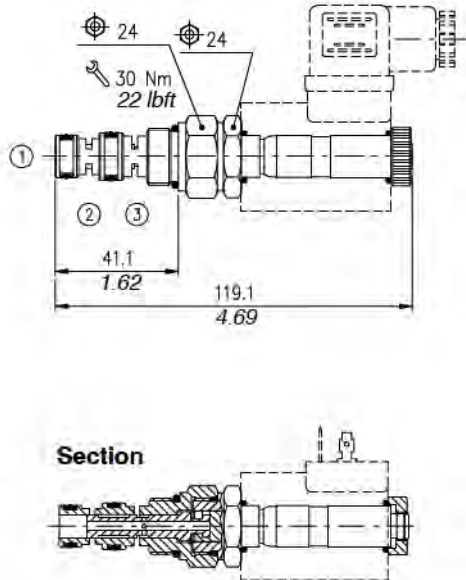
Order code

EJ 12A / 20 P □

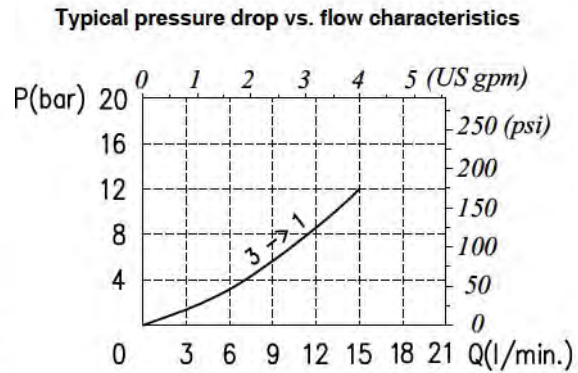
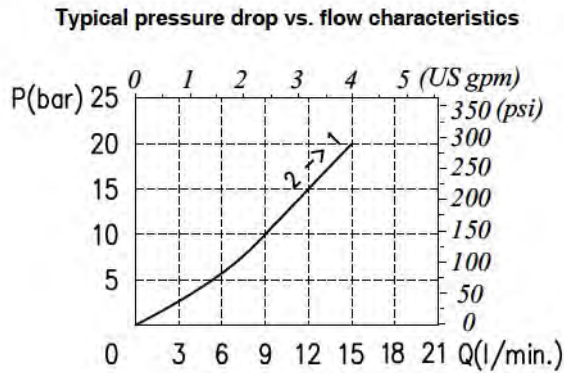
Seals

B) Buna
V) Viton

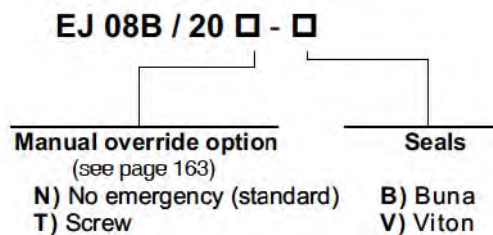
Dimensions and hydraulic circuit



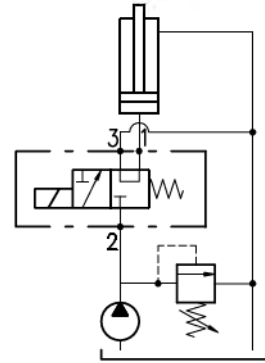
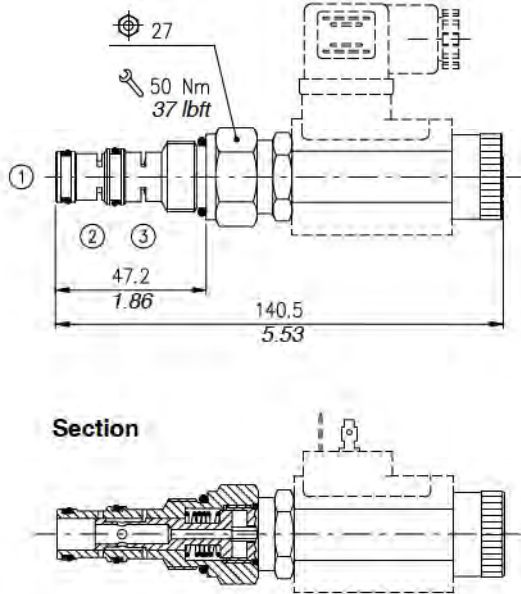
Rating diagrams



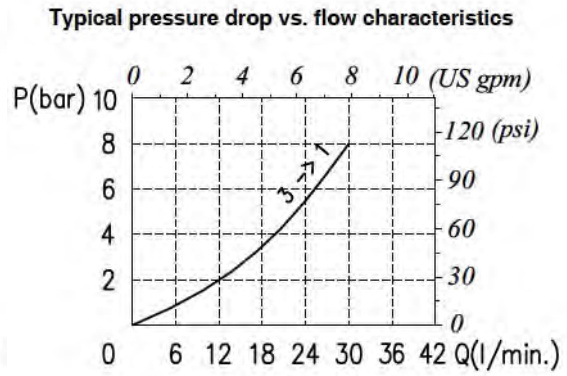
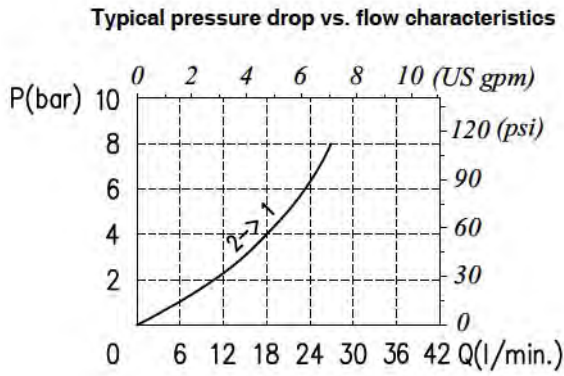
Order code



Dimensions and hydraulic circuit



Rating diagrams



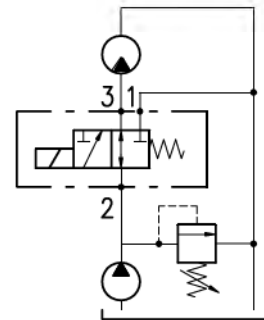
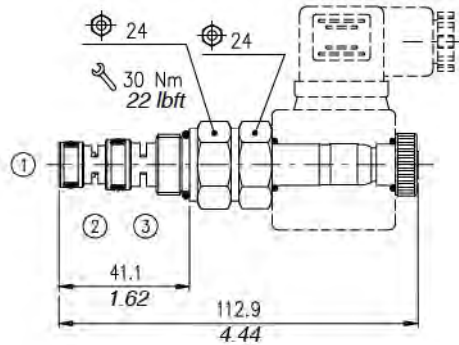
Order code

EJ 10B / 20 N □

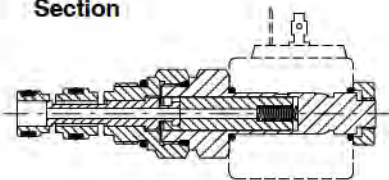
Seals

B) Buna
V) Viton

Dimensions and hydraulic circuit

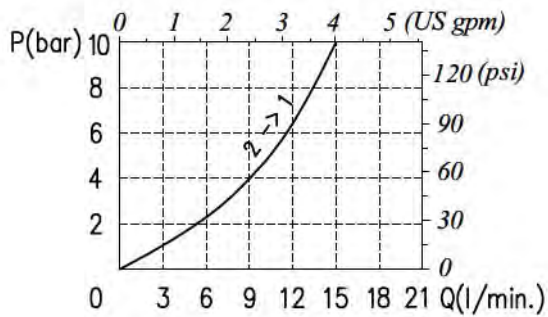


Section

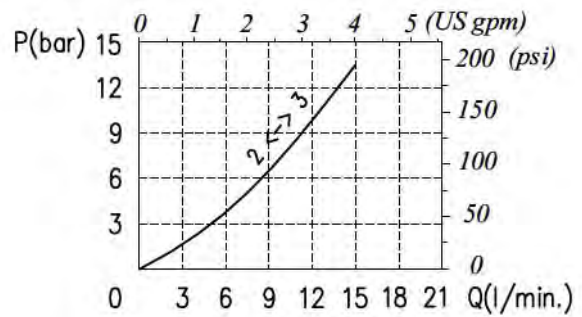


Rating diagrams

Typical pressure drop vs. flow characteristics



Typical pressure drop vs. flow characteristics



Order code

EJ 08A / 10 □ - □

Manual override option

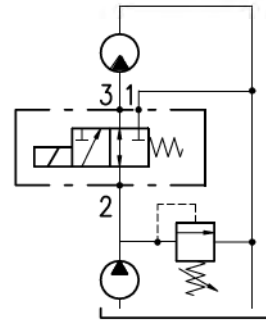
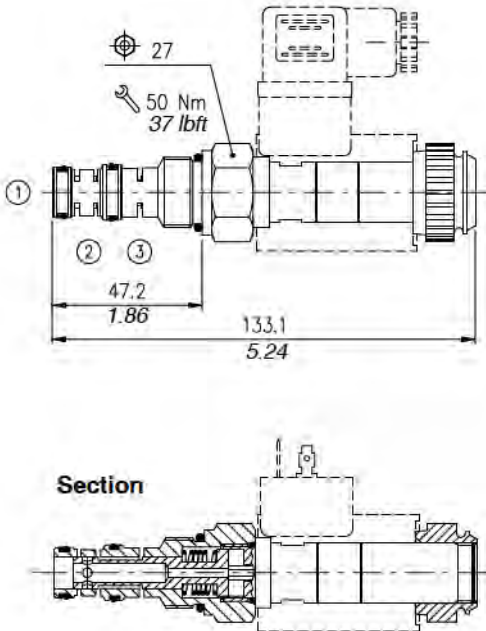
(see page 163)

N) No emergency (standard)
T) Screw

Seals

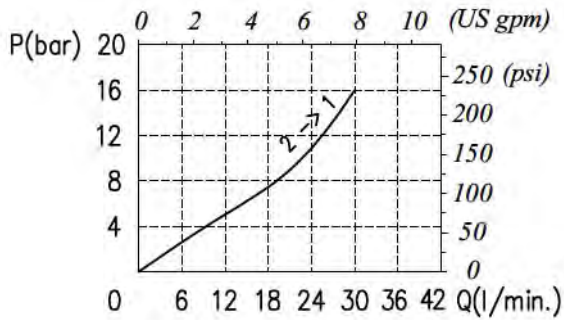
B) Buna
V) Viton

Dimensions and hydraulic circuit

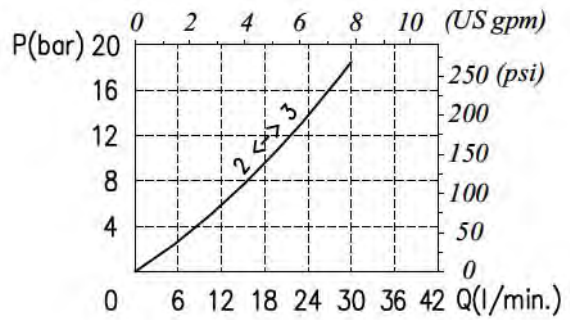


Rating diagrams

Typical pressure drop vs. flow characteristics



Typical pressure drop vs. flow characteristics



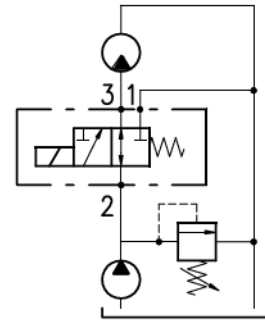
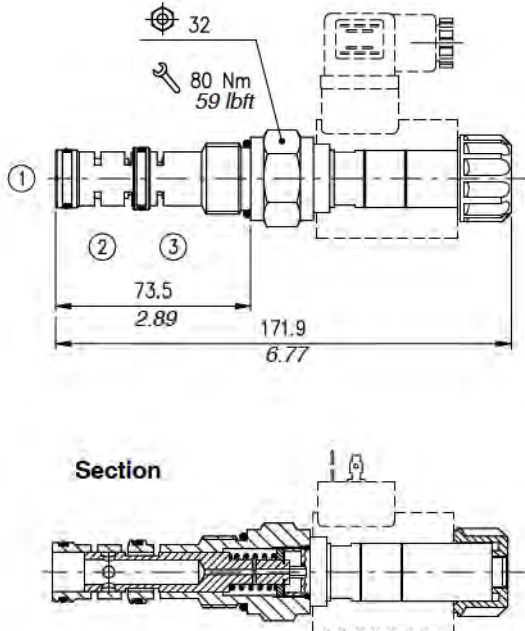
Order code

EJ 10A / 10 P □

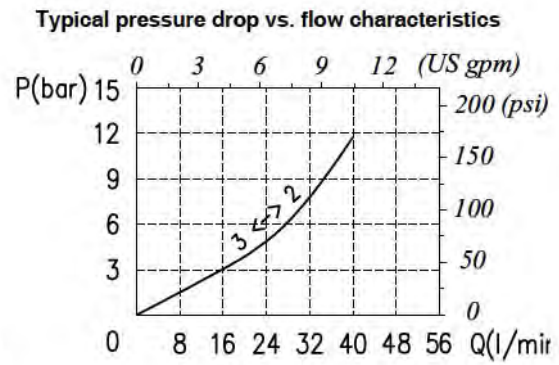
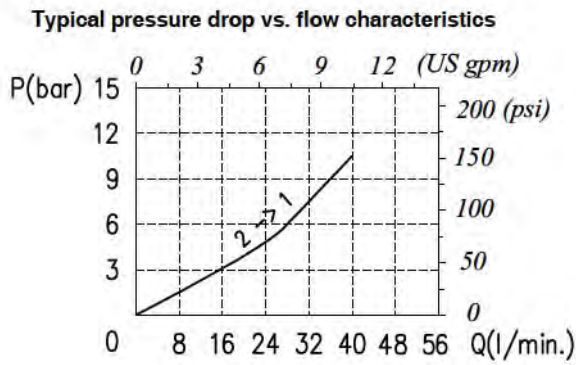
Seals

B) Buna
V) Viton

Dimensions and hydraulic circuit



Rating diagrams



Order code

EJ 12A / 10 P □

Seals

B) Buna
V) Viton