



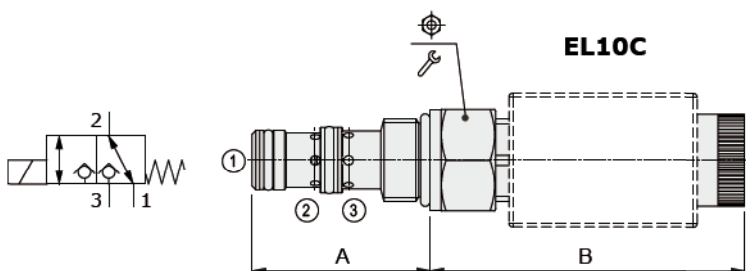
EL... type directional solenoid valve - 3 ways / 2 positions

- Direct acting
- Poppet type
- From SAE08 to SAE10 cavities

Technical specifications and diagrams are measured with mineral oil of 46 cSt viscosity at 40°C (104°F) temperature.

	EL08A	EL10C
Nominal flow	10 l/min (2.64 US gpm)	20 l/min (5.28 US gpm)
Max. pressure	210 bar (3050 psi)	
Oil leakage	at 210 bar (3050 psi) 0.25 cm ³ /min (0.015 in ³ /min)	
Fluid	mineral based oil	
Viscosity	10-200 cSt	
Max level of contamination	18/16/13 ISO4406	
Fluid temperature	with NBR seals with FPM seals	from -20°C (-4°F) to 80°C (176°F) from -20°C (-4°F) to 100°C (212°F)
Environmental temp. for working conditions	from -20°C (-4°F) to 50°C (122°F)	
Cavity	SAE 8/3	SAE 10/3
Coil type*	BC	BQ16
Nominal voltages	12 VDC - 24 VDC ± 10%	12 VDC ± 10%
Power rating	26.1 W (12 VDC) 25.9 W (24 VDC)	30 W
Weight	0.23 kg (0.50 lb)	0.27 kg (0.59 lb)

NOTE - For different conditions, please contact Walvoil Sales Dpt. - *For coils further features see from page 190.

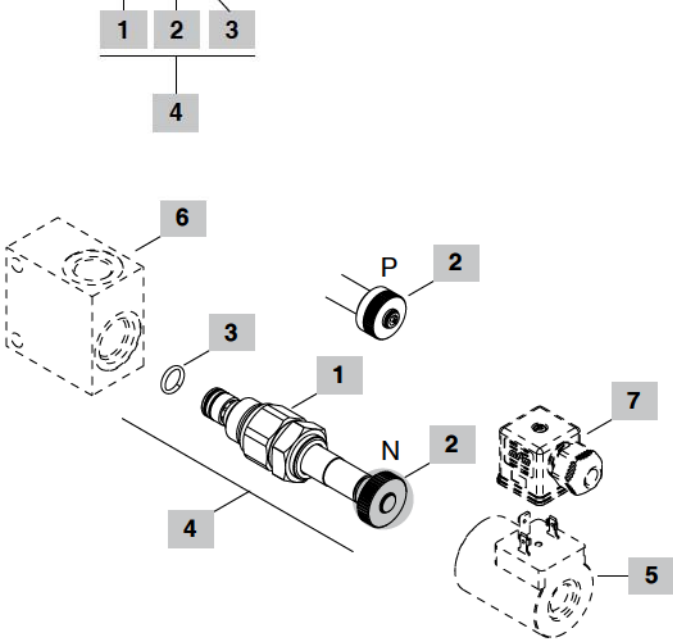


Valve type	A		B		⊕	⌘	Nm	lbft
	mm	in	mm	in				
EL08A/10NB	41,2	1.62	94.9	3.74	24	30	22	
EL10C/10NB	46	1.81	86.7	3.41	27	50	37	

For dimensions with different type of emergency see page 197

Ordering codes and description composition

EL08A/10 NB



1 Spool

TYPE	DESCRIPTION
1	Spool 1

2 Emergency

TYPE	DESCRIPTION
N	Without emergency
P	Push button type

Note: for 10/2 cavity only N type

3 Seals

TYPE	DESCRIPTION
B	NBR (Buna) o-ring seals, std configuration
V	FPM (Viton) o-ring seals, contact Sales Dept.

4 Cartridges

TYPE	CODE	DESCRIPTION
SAE cavity 8/3		
EL08A/10NB	0EL08002001	Without emergency
EL08A/10PB	0EL08002000	With push-button emergency
SAE cavity 10/3		
EL10C/10NB	0EL10002008	Without emergency

5 Coils

TYPE	CODE	DESCRIPTION
BC 12 VDC	4SL8000120	12VDC-ISO4400 coil for EL08A
BQ16 12VDC	4SL8000121	12VDC-ISO4400 coil for EL10C

For complete coils list see from page 190

6 Valve body

TYPE	CODE	DESCRIPTION
SAE 08/3-G 1/4	3CC0830B11	Aluminium body for cavity 08 valve, G 1/4 std thread
SAE 10/3-G 3/8	3CC1030C11	Aluminium body for cavity 10 valve, G 3/8 std thread

For steel bodies or different threading see from page 199

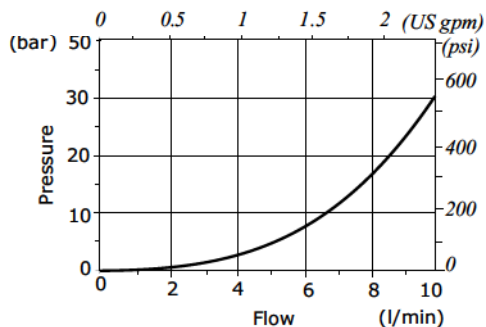
7 Connector

TYPE	CODE	DESCRIPTION
ISO4400	4CN1009995	Connector

For complete connectors list see from page 190

Rating diagrams

Pressure drop vs. flow EL08A



Pressure drop vs. flow EL10C

