



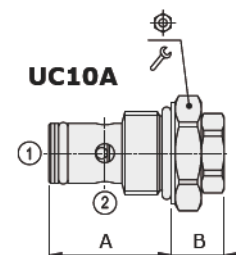
UC..A type check valves - 2 ways

- Poppet type
- From SAE08 to SAE16 cavities

Technical specifications and diagrams are measured with mineral oil of 46 cSt viscosity at 40°C (104°F) temperature.

| | UC08A | UC10A | UC12A | UC16A |
|--|-----------------------------------|---|---|---|
| Nominal flow | up to 20 l/min (5.3 US gpm) | up to 35 l/min (9.2 US gpm) | up to 50 l/min (13 US gpm) | up to 100 l/min (26 US gpm) |
| Max. pressure | 350 bar (5100 psi) | | | |
| Oil leakage | at 100 bar (1450 psi) | 0.25 cm ³ /min (0.015 in ³ /min) | 0.25 cm ³ /min (0.015 in ³ /min) | 0.25 cm ³ /min (0.015 in ³ /min) |
| Fluid | mineral based oil | | | |
| Viscosity | 10-200 cSt | | | |
| Max level of contamination | 20/18/14 ISO4406 | | | |
| Fluid temperature | with NBR seals with FPM seals | from -20°C (-4°F) to 80°C (176°F) from -20°C (-4°F) to 100°C (212°F) | | |
| Environmental temp. for working conditions | from -20°C (-4°F) to 50°C (122°F) | | | |
| Cavity | SAE 8/2 | SAE 10/2 | SAE 12/2 | SAE 16/2 |
| Weight | 0.080 kg (0.18 lb) | 0.090 kg (0.20 lb) | 0.180 kg (0.40 lb) | 0.370 kg (0.81 lb) |

NOTE - For different conditions, please contact Walvoil Sales Dpt.

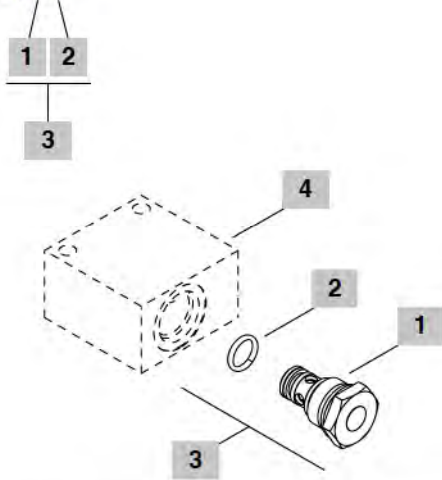


| Valve type | A | | B | | ⌀ | Nm | lbft |
|------------|------|------|------|------|----|-----|------|
| | mm | in | mm | in | | | |
| UC08A | 27.6 | 1.09 | 15.5 | 0.61 | 24 | 30 | 22 |
| UC10A | 32.3 | 1.27 | 12.5 | 0.49 | 27 | 50 | 37 |
| UC12A | 46 | 1.81 | 14 | 0.55 | 32 | 80 | 59 |
| UC16A | 45.2 | 1.78 | 25 | 0.98 | 41 | 100 | 73 |

UC..A type

Ordering codes and description composition

UC08A/001B



1 Opening pressure from 1 to 2

| TYPE | DESCRIPTION |
|------|--------------------|
| 1 | 0.5 bar (7.3 psi) |
| 2 | 2.5 bar (36.2 psi) |
| 3 | 5 bar (72.5 psi) |

2 Seals

| TYPE | DESCRIPTION |
|------|--|
| B | NBR (Buna) Std configuration without addition |
| V | For valve with FPM (Viton) o-ring seals, contact Sales Dpt. |

3 Cartridges

| TYPE | CODE | DESCRIPTION |
|-----------------------|-------------|------------------------------------|
| SAE cavity 8/2 | | |
| UC08A/001B | 0UC08002001 | Opening pressure 0.5 bar (7.3 psi) |

SAE cavity 10/2

| | | |
|------------|-------------|------------------------------------|
| UC10A/001B | 0UC10002000 | Opening pressure 0.5 bar (7.3 psi) |
|------------|-------------|------------------------------------|

SAE cavity 12/2

| | | |
|------------|-------------|------------------------------------|
| UC12A/001B | 0UC12002000 | Opening pressure 0.5 bar (7.3 psi) |
|------------|-------------|------------------------------------|

SAE cavity 16/2

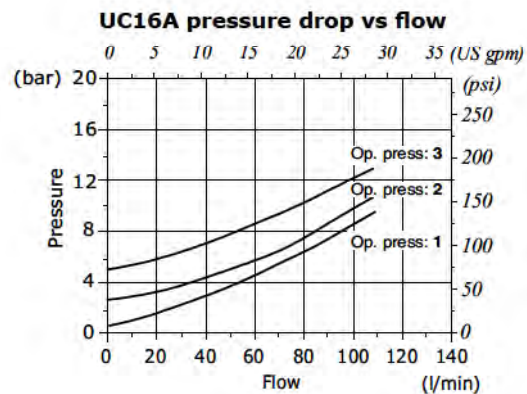
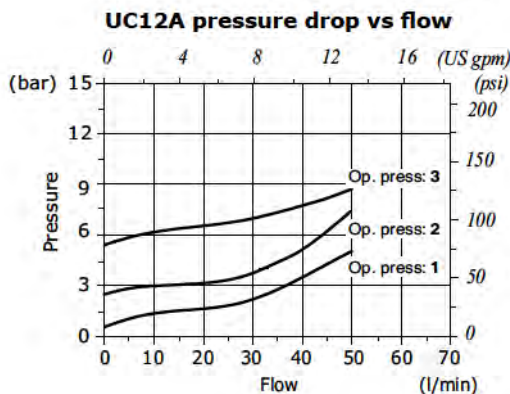
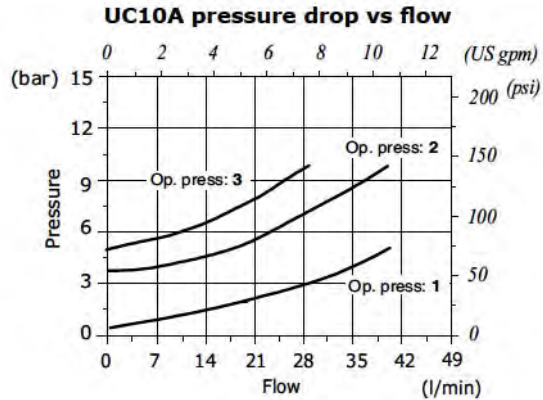
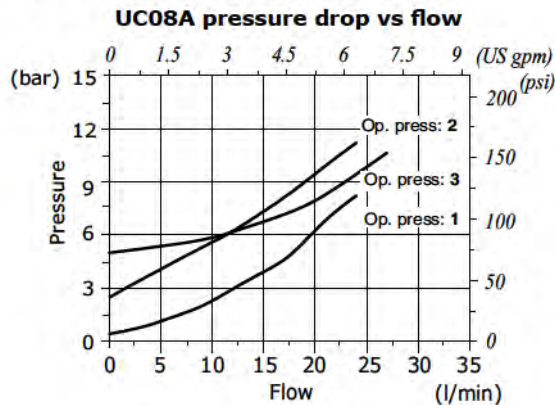
| | | |
|------------|-------------|------------------------------------|
| UC16A/001B | 0UC16002001 | Opening pressure 0.5 bar (7.3 psi) |
|------------|-------------|------------------------------------|

4 Valve body

| TYPE | CODE | DESCRIPTION |
|-----------------------|------------|--|
| SAE 08/2-G 3/8 | 3CC0820C11 | Aluminium body for cavity 8 valve G3/8 std thread |
| SAE 10/2-G 3/8 | 3CC1020C11 | Aluminium body for cavity 10 valve G3/8 std thread |
| SAE 12/2-G 1/2 | 3CC1220D11 | Aluminium body for cavity 12 valve G1/2 std thread |
| SAE 16/2-G 3/4 | 3CC1620E11 | Aluminium body for cavity 16 valve G3/4 std thread |

Note: aluminium body can stand up to 210 bar (3050 psi)
For steel bodies or different threading see from page 199

Rating diagrams





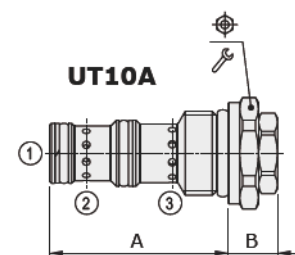
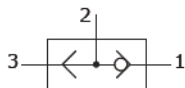
UT..A type check valves - 3 ways

- Shuttle valve
- Poppet type
- From SAE08 to SAE10 cavities

Technical specifications and diagrams are measured with mineral oil of 46 cSt viscosity at 40°C (104°F) temperature.

| | UT08A | UT10A |
|--|-----------------------------------|---|
| Nominal flow | 15 l/min (4 US gpm) | up to 20 l/min (5.3 US gpm) |
| Max. pressure | 350 bar (5100 psi) | |
| Oil leakage | - | |
| Fluid | mineral based oil | |
| Viscosity | 10-200 cSt | |
| Max level of contamination | 20/18/14 ISO4406 | |
| Fluid temperature | with NBR seals with FPM seals | from -20°C (-4°F) to 80°C (176°F) from -20°C (-4°F) to 100°C (212°F) |
| Environmental temp. for working conditions | from -20°C (-4°F) to 50°C (122°F) | |
| Cavity | SAF 8/3 | SAF 10/3 |
| Weight | 0.080 kg (0.18 lb) | 0.100 kg (0.22 lb) |

NOTE - For different conditions, please contact Walvoil Sales Dpt.

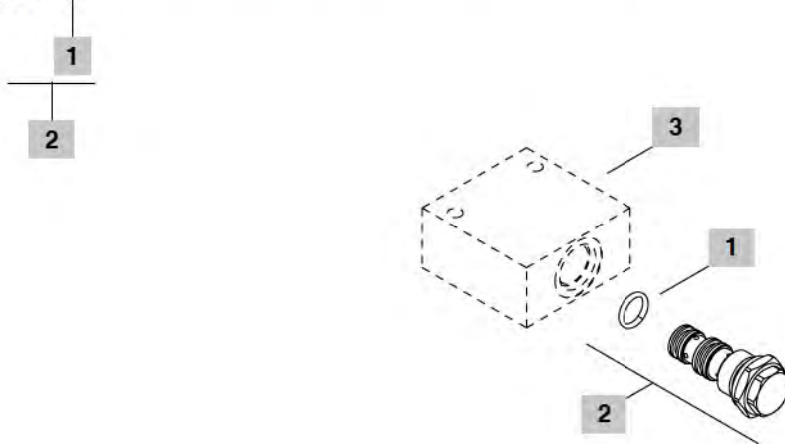


| Valve type | A | | B | | Torque | Nm | lbft |
|------------|------|------|------|------|--------|----|------|
| | mm | in | mm | in | | | |
| UT08A | 40.8 | 1.60 | 12.5 | 0.49 | 24 | 30 | 22 |
| UT10A | 47.2 | 1.86 | 13 | 0.51 | 27 | 50 | 36 |

UT..A type

Ordering codes and description composition

UC08A/000B



1 Seals

| TYPE | DESCRIPTION |
|----------|---|
| B | NBR (Buna) Std configuration without addition |
| V | For valve with FPM (Viton) o-ring seals, contact Sales Dept. |

2 Cartridges

| TYPE | CODE | DESCRIPTION |
|-----------------------|-------------|----------------|
| SAE cavity 8/3 | | |
| UT08A/000B | OUT08002000 | Valve assembly |

SAE cavity 10/3

| | | |
|------------|-------------|----------------|
| UT10A/000B | OUT10002000 | Valve assembly |
|------------|-------------|----------------|

3 Valve body

| TYPE | CODE | DESCRIPTION |
|-----------------------|------------|--|
| SAE 08/3-G 1/4 | 3CC0830B11 | Aluminium body for cavity 8 valve G1/4 std thread |
| SAE 10/3-G 3/8 | 3CC1030C11 | Aluminium body for cavity 10 valve G3/8 std thread |

Note: aluminium body can stand up to 210 bar (3050 psi)
For steel bodies or different threading see from page 199

Rating diagrams

