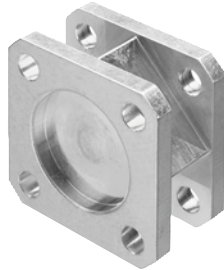


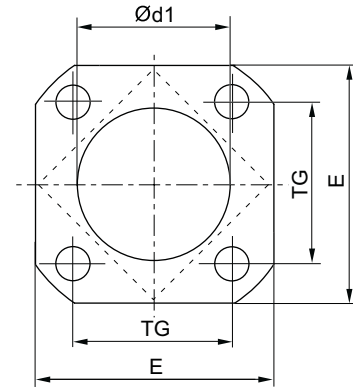
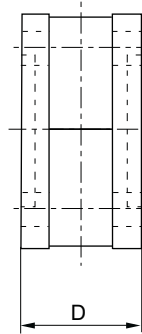
Cylinder Accessories ▶ Cylinder mountings; series CM1

**Intermediate flange, Series JP1**

▶ for multi-position cylinders



00135554



00135553

Scope of delivery: Incl. mounting screws

Part No.	Piston Ø	D	Ø d1 N7	E	TG							
<b>1827020247</b>	32	27	30	47	32.5							
<b>1827020248</b>	40	27	35	53	38							
<b>1827020249</b>	50	32	40	65	46.5							
<b>1827020250</b>	63	28	45	75	56.5							
<b>1827020251</b>	80	38	45	95	72							
<b>1827020252</b>	100	38	55	115	89							
1827020253	125	44	60	140	110							

Material: Aluminum