

Cylinder Accessories ▶ Cylinder mountings; series CM1

Rear eye, Series MP9
▶ With rubber bushing



IM0043848

Fig. 1

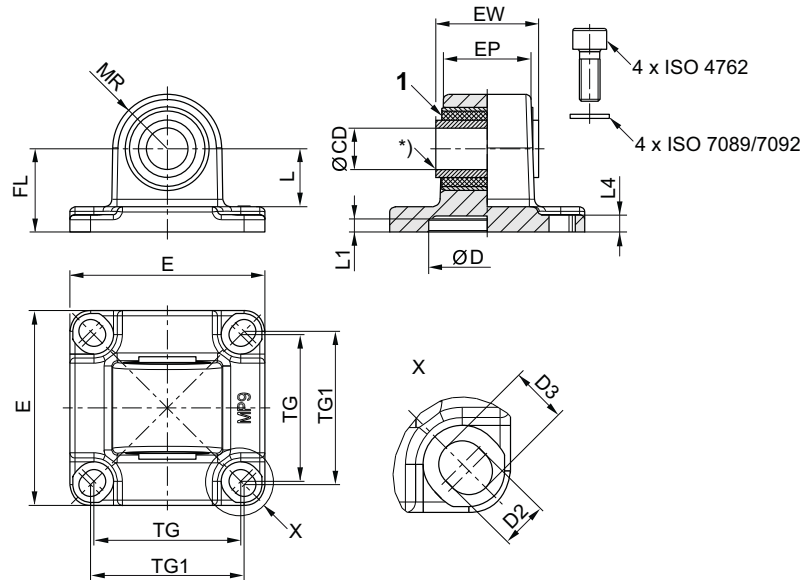
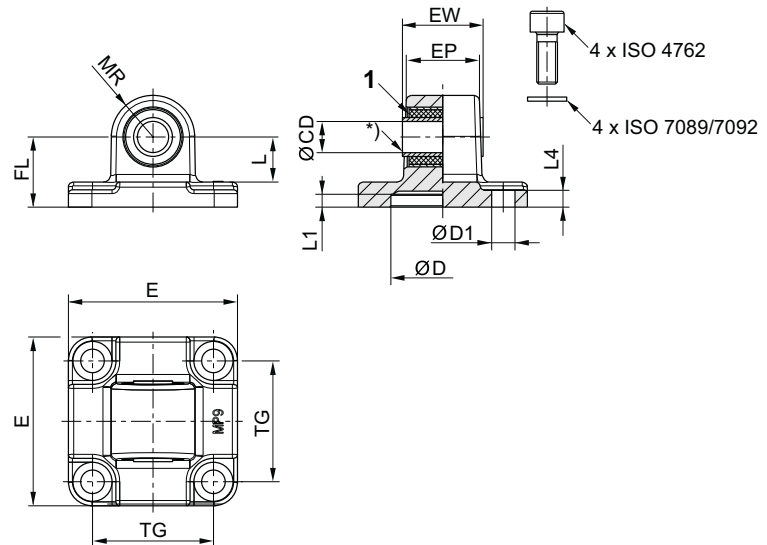


Fig. 2



IM0043825

1) Rubber bushing
* Plain bearing material: bronze (Ø125: steel, galvanized)
Scope of delivery: clevis incl. mounting screws

Part No.	Piston Ø	CD H11	CD H9	E	EW	EP	TG	TG1 ±0,2	FL ±0,2	MR	L 1)	L1
3683202000	25	10	–	40	17.5	14.5	26	27	20	12.5	14.8	3
3683203000	32	10	–	46	25.5	18.9	32.5	–	22	12.5	13.8	5
3683204000	40	–	12	53	27	23.5	38	40	25	15	16.3	5
3683205000	50	–	12	65	31	28	46.5	–	27	16	17.3	5
3663205000	50	–	12	65	31	28	46	–	27	16	17.3	5
3683206000	63	–	16	75	39.5	33.5	56.5	59	32	21	22.3	5
3683208000	80	–	16	94.5	49.5	43	72	–	36	22	21.8	5
3663208000	80	–	16	94.5	49.5	43	73	–	36	22	21.8	5

Rear eye, Series MP9

▶ With rubber bushing

Part No.	Piston Ø	CD H11	CD H9	E	EW	EP	TG	TG1 ±0,2	FL ±0,2	MR	L 1)	L1
3683210000	100	–	20	114	59.5	54	89	90	41	25	25.8	5
R412015973	125	–	25	138	69.5	60	110	–	50	34	33.8	7.5

Part No.	L4	D H11	D1 H13	D2 -0,2	D3 -0,2	Standardization	Weight [kg]	Fig.	Note			
3683202000	3	18	–	5.5	6.2	ISO 21287	0.063	Fig. 1	2) 4)			
3683203000	5.5	30	6.6	–	–	ISO 15552	0.092	Fig. 2	3) 5)			
3683204000	5.5	35	–	6.6	8	ISO 15552	0.143	Fig. 1	3) 5)			
3683205000	6.5	40	9	–	–	ISO 15552	0.217	Fig. 2	5)			
3663205000	6.5	40	6.6	–	–	–	0.203	Fig. 2	3) 5)			
3683206000	6.5	45	–	9	10.8	ISO 15552	0.411	Fig. 1	3) 5)			
3683208000	10	45	11	–	–	ISO 15552	0.64	Fig. 2	5)			
3663208000	10	45	8.5	–	–	–	0.619	Fig. 2	3) 5)			
3683210000	10	55	–	11	11.7	ISO 15552	0.956	Fig. 1	3) 5)			
R412015973	10	60	13.5	–	–	ISO 15552	1.37	Fig. 2	5)			

- 1) Min.
 2) CAD files *_iso.* (suitable for cylinders according to ISO 21287) and *_167.* (suitable for 167 series cylinders)
 3) suitable for 167 series cylinders
 4) Material: Die-cast aluminum
 5) Material: Aluminum (forged)