

LANDVÉLAR

AVENTICS[®]










Sensor technologies ▶ Proximity sensors

Series ST6

Brochure














ST6

	Sensor, Series ST6 ▶ 6 mm T-slot ▶ with cable ▶ open cable ends, 2-pin, open cable ends, 3-pin	4
	Sensor, Series ST6 ▶ 6 mm T-slot ▶ with cable ▶ open cable ends, 3-pin ▶ ATEX certified	6
	Sensor, Series ST6 ▶ 6 mm T-slot ▶ with cable ▶ Plug, M8, 3-pin, with knurled screw	7
	Sensor, Series ST6 ▶ 6 mm T-slot ▶ with cable ▶ Plug, M8, 3-pin, with knurled screw ▶ ATEX certified	9
	Sensor, Series ST6 ▶ 6 mm T-slot ▶ with cable ▶ Plug, M8, 3-pin	10
	Sensor, Series ST6 ▶ 6 mm T-slot ▶ with cable ▶ Plug, M12, 3-pin, with knurled screw	12
	Sensor, Series ST6 ▶ 6 mm T-slot ▶ with cable ▶ Plug, M12, 3-pin, with knurled screw ▶ ATEX certified	14
	Sensor, Series ST6-HT ▶ 6 mm T-slot ▶ with cable ▶ open cable ends, 2-pin ▶ heat resistant	15
	Sensor, Series ST6-LT ▶ 6 mm T-slot ▶ with cable ▶ open cable ends, 3-pin, Plug, M8x1, 3-pin, with knurled screw, Plug, M12x1, 3-pin, with knurled screw ▶ cold-resistant	16

LANDVÉLAR

Accessories

ST6

	Sensor mounting, Series CB1 ► for Series ST4, ST6 ► to mount on cylinder MNI, ICM, CSL-RD	19
	Sensor mounting, Series CB1 ► for Series ST6, SM6, SN1, SN2 ► to mount on cylinder TRB, C12P, CVI, 523	19
	Sensor mounting, Series CB1 ► for Series ST6, SN2, SN6, SN1, SM6, SM6-AL ► to mount on cylinder C12P, ITS	20
	Sensor mounting, Series CB1 ► for Series ST6 ► to mount on cylinder KHZ	21
	Sensor mounting, Series CB1 ► for Series ST6 ► to mount on cylinder CSL-RD, ICM, ICS-D1, ICS-D2, RPC	21
	Sensor mounting, Series CB1 ► for Series ST6 ► to mount on cylinder ICL	22
	Sensor mounting, Series CB1 ► for Series ST6, SM6 ► to mount on cylinder MNI, ICM	22
	Sensor mounting, Series CB1 ► for Series ST6, SM6 ► to mount on cylinder Series 167	23
	Sensor mounting, Series CB1 ► for Series ST6, SM6 ► to mount on cylinder TRB, C12P, 167, CVI, TRR, 523	23
	Round plug connectors with cable, Series CN2	on line
	Round plug connector, Series CN2	on line

Sen: LANDVÉLAR

> 6 n

ble ends, 3-pin



24712

Certificates	CE declaration of conformity cULus RoHS
Ambient temperature min./max.	-30 °C / +80 °C
Protection class	IP65, IP67, IP69K
Switching point precision [mm]	±0,1
Switching logic	NO (make contact)
Switching capacity	Reed, 2-pin: max. 10 W Reed, 3-pin: max. 6 W
LED status display	Yellow
Vibration resistance	10 - 55 Hz, 1 mm
Shock resistance	30 g / 11 ms
Materials:	
Housing	Polyamide
Cable sheath	Polyurethane
Locking screw	Stainless steel

Technical Remarks

- No cULus certification for 230 V variant.

	Type of contact	Cable length	DC operating voltage min./max.	Operational voltage AC min./max.	Voltage drop U at I _{max}	DC switching current, max.	AC switching current, max.	Part No.
		[m]		[V AC]		[A]	[A]	
	Reed	3	10 / 230	10 / 230	I*Rs	0.13	0.13	R412022866
	Reed	3 5 10	10 / 30	10 / 30	I*Rs	0.3	0.5	R412022869 R412022870 R412022871
	electronic PNP	3 5 10	10 / 30	-	≤ 2,5 V	0.13	-	R412022853 R412022855 R412022857
	electronic NPN	3 5	10 / 30	-	≤ 2,5 V	0.13	-	R412022849 R412022850

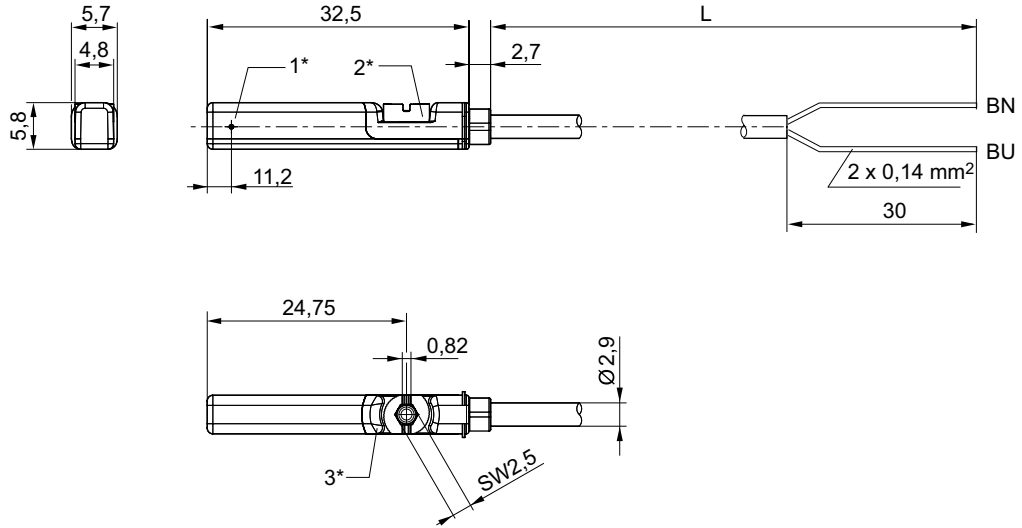
Part No.	Max. switching frequency kHz	Operating current, not switched	Operating current, switched	Fig.	Note
R412022866	< 0,4	-	-	Fig. 1	1); 3)
R412022869 R412022870 R412022871	< 0,4	-	-	Fig. 2	2); 3)
R412022853 R412022855 R412022857	< 1,0	< 8 mA	< 30 mA	Fig. 2	2); 4)
R412022849 R412022850	< 1,0	< 8 mA	< 30 mA	Fig. 2	2); 4)

- 1) interfaces: open cable ends; 2-pin
- 2) interfaces: open cable ends; 3-pin
- 3) Protected against polarity reversal
- 4) short circuit resistant / Protected against polarity reversal

LANDVÉLAR

1, open cable ends, 3-pin

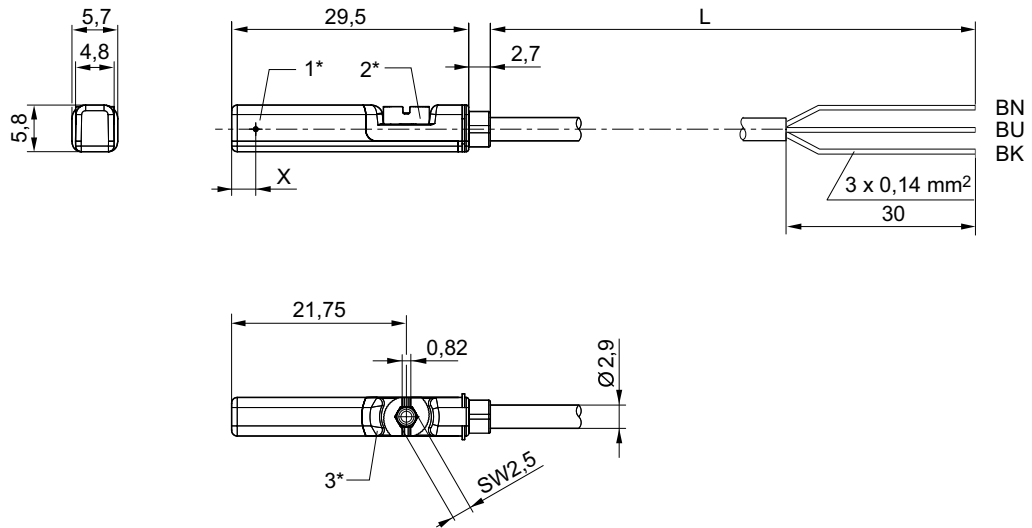
Fig. 1



24619

1* = switching point 2* = locking screw 3* = LED window, transparent
 L = cable length
 BN=brown, BU=blue

Fig. 2



24620

1* = switching point 2* = locking screw 3* = LED window, transparent
 L = cable length
 BN = brown, BK = black, BU = blue
 X = electronic: 11,6 mm, Reed: 8,3 mm



24712

Certificates

ATEX

Ambient temperature min./max.
Protection class
Switching point precision [mm]
Quiescent current (without load)
DC operating voltage min./max.
Switching logic
LED status display
Vibration resistance
Shock resistance

Materials:

Housing
Cable sheath
Locking screw

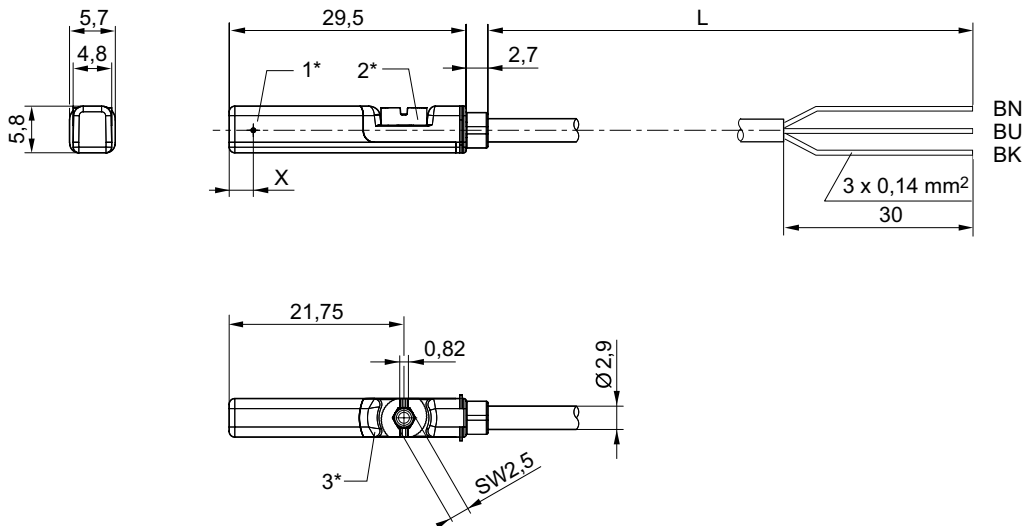
CE declaration of conformity
cULus
RoHS
II 3G Ex nA op is IIC T4 Gc X
II 3D Ex tc IIIC T135°C Dc X
-20°C / +50°C
IP67
±0,1
< 10 mA
10 V DC - 30 V DC
NO (make contact)
Yellow
10 - 55 Hz, 1 mm
30 g / 11 ms

Polyamide
Polyurethane
Stainless steel

Type of contact	Cable length	Voltage drop U at I _{max}	DC switching current, max.	AC switching current, max.	Max. switching frequency kHz	Part No.
	[m]		[A]	[A]		
electronic PNP	3	≤ 2,5 V	0.1	0.1	< 1,0	R412022854
	5					R412022856

interfaces: open cable ends; 3-pin
short circuit resistant / Protected against polarity reversal

Dimensions



24620

1* = switching point 2* = locking screw 3* = LED window, transparent
L = cable length
BN = brown, BK = black, BU = blue
X = electronic: 11.6 mm

LANDVÉLAR

knurled screw



24713

Certificates

Ambient temperature min./max.
 Protection class
 Switching point precision [mm]
 DC operating voltage min./max.
 Switching logic
 Switching capacity
 LED status display
 Vibration resistance
 Shock resistance

CE declaration of conformity

cULus
 RoHS
 -30°C / +80°C
 IP65, IP67
 ±0,1
 10 V DC - 30 V DC
 NO (make contact)
 Reed, 3-pin: max. 6 W
 Yellow
 10 - 55 Hz, 1 mm
 30 g / 11 ms

Materials:

Housing
 Locking screw

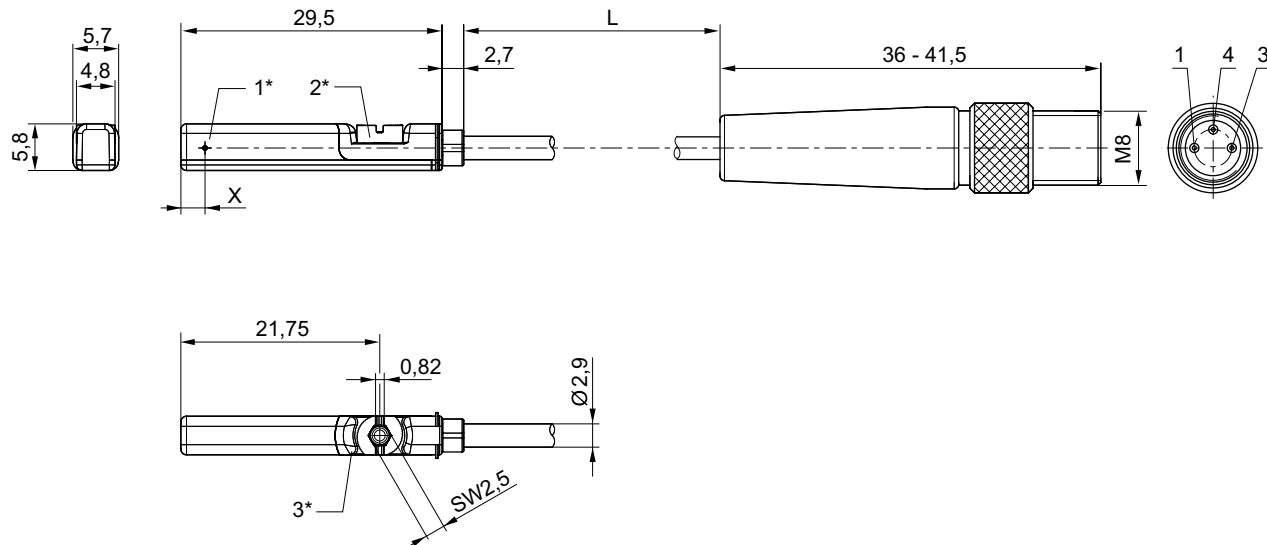
Polyamide
 Stainless steel

Type of contact	Cable sheath	Cable length	Operational voltage AC min./max.	Voltage drop U at I _{max}	DC switching current, max.	AC switching current, max.	Max. switching frequency kHz	Part No.
		[m]	[V AC]		[A]	[A]		
Reed	Polyurethane	0.3	10 / 30	I [*] Rs	0.3	0.5	< 0,4	R412022873
	Polyvinyl chloride	0.3						R412022875
	Polyurethane	0.5						R412022874
electronic PNP	Polyurethane	0.3	-	≤ 2,5 V	0.13	-	< 1,0	R412022859
	Polyvinyl chloride	0.3						R412022862
	Polyurethane	0.5						R412022861
electronic NPN	Polyurethane	0.3	-	≤ 2,5 V	0.13	-	< 1,0	R412022852

Part No.	Operating current, not switched	Operating current, switched	Note
R412022873 R412022875 R412022874	-	-	1)
R412022859 R412022862 R412022861	< 8 mA	< 30 mA	2)
R412022852	< 8 mA	< 30 mA	2)

1) Protected against polarity reversal
 2) short circuit resistant / Protected against polarity reversal
 interfaces: Plug; M8; 3-pin; with knurled screw

Sen: **LANDVÉLAR** ew

Dimensions


1* = switching point 2* = locking screw 3* = LED window, transparent
 L = cable length
 X = electronic: 11,6 mm, Reed: 8,3 mm
 Pin assignment: 1 = (+), 3 = (-), 4 = (OUT)

24622

LANDVÉLAR

knurled screw ▶ ATEX certified



24713

Certificates

ATEX

Ambient temperature min./max.
Protection class
Switching point precision [mm]
Quiescent current (without load)
DC operating voltage min./max.
Switching logic
LED status display
Vibration resistance
Shock resistance

Materials:

Housing
Cable sheath
Locking screw

CE declaration of conformity
cULus
RoHS

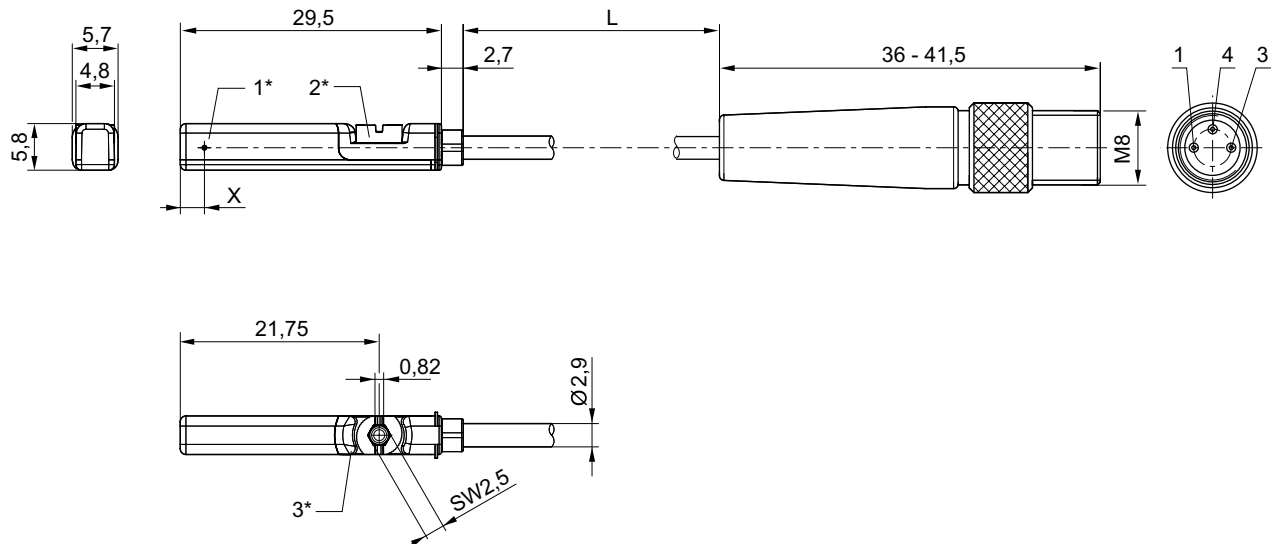
II 3G Ex nA op is IIC T4 Gc X
II 3D Ex tc IIIC T135°C Dc X
-20°C / +50°C
IP67
±0,1
< 10 mA
10 V DC - 30 V DC
NO (make contact)
Yellow
10 - 55 Hz, 1 mm
30 g / 11 ms

Polyamide
Polyurethane
Stainless steel

Type of contact	Cable length	Voltage drop U at I _{max}	DC switching current, max.	AC switching current, max.	Max. switching frequency kHz	Part No.
	[m]		[A]	[A]		
electronic PNP	0.3	≤ 2,5 V	0.1	0.07	< 1,0	R412022860

interfaces: Plug; M8; 3-pin; with knurled screw
short circuit resistant / Protected against polarity reversal

Dimensions



1* = switching point 2* = locking screw 3* = LED window, transparent
L = cable length
X = PNP: 11,6 mm
Pin assignment: 1 = (+), 3 = (-), 4 = (OUT)

24622

Sens: LANDVÉLAR

▶ 6 n



24742

Certificates

Ambient temperature min./max.
Protection class
Switching point precision [mm]
DC operating voltage min./max.
Switching logic
Switching capacity

LED status display
Vibration resistance
Shock resistance

Materials:

Housing
Cable sheath
Locking screw

CE declaration of conformity

cULus
RoHS
-30 °C / +80 °C
IP65, IP67
±0,1
10 V DC - 30 V DC
NO (make contact)
Reed, 2-pin: max. 10 W
Reed, 3-pin: max. 6 W
Yellow
10 - 55 Hz, 1 mm
30 g / 11 ms

Polyamide
Polyurethane
Stainless steel

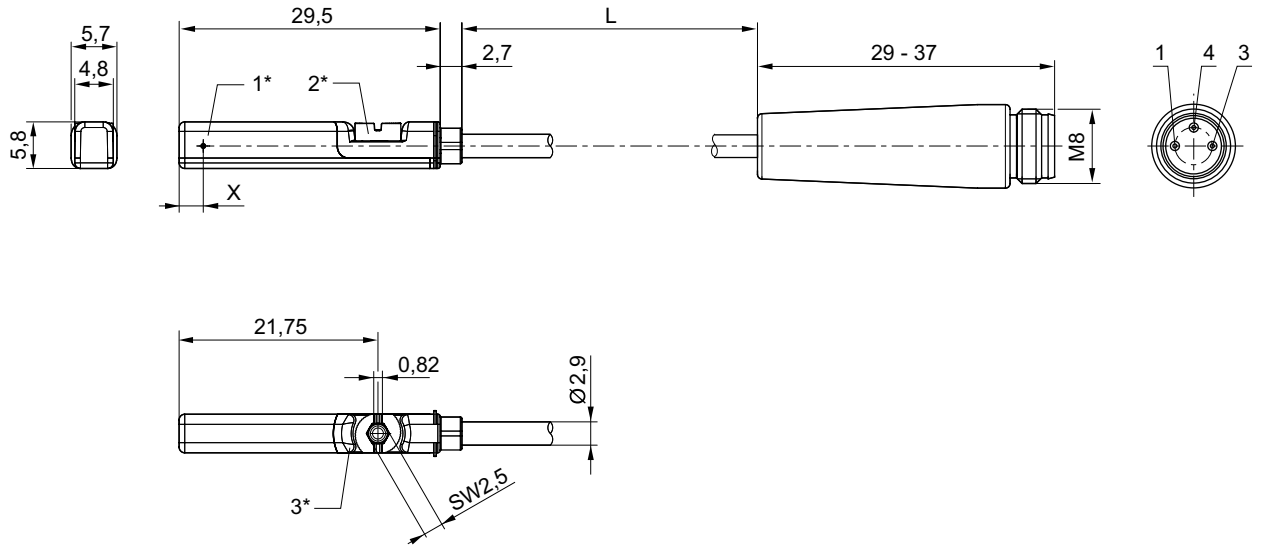
	Type of contact	Cable length	Operational voltage AC min./max.	Voltage drop U at I _{max}	DC switching current, max.	AC switching current, max.	Max. switching frequency kHz	Part No.
		[m]	[V AC]		[A]	[A]		
	Reed	0.3	10 / 30	I*Rs	0.13	0.13	< 0,4	R412022868
	Reed	0.3	10 / 30	I*Rs	0.3	0.5	< 0,4	R412022872
-	electronic PNP	0.3	-	≤ 2,5 V	0.13	-	< 1,0	R412022858
-	electronic NPN	0.3	-	≤ 2,5 V	0.13	-	< 1,0	R412022851

Part No.	Operating current, not switched	Operating current, switched	Note
R412022868	-	-	1)
R412022872	-	-	1)
R412022858 R412022851	< 8 mA	< 30 mA	2)

1) Protected against polarity reversal
2) short circuit resistant / Protected against polarity reversal
interfaces: Plug; M8; 3-pin

LANDVÉLAR

Dimensions



1* = switching point 2* = locking screw 3* = LED window, transparent
 L = cable length
 X = electronic: 11,6 mm, Reed: 8,3 mm
 Pin assignment: 1 = (+), 3 = (-), 4 = (OUT)

24621

Sens: **LANDVÉLAR**

:rew



24714

Certificates

Ambient temperature min./max.
Protection class
Switching point precision [mm]
DC operating voltage min./max.
Switching logic
Switching capacity
LED status display
Vibration resistance
Shock resistance

CE declaration of conformity

cULus
RoHS
-30 °C / +80 °C
IP65, IP67
±0,1
10 V DC - 30 V DC
NO (make contact)
Reed, 3-pin: max. 6 W
Yellow
10 - 55 Hz, 1 mm
30 g / 11 ms

Materials:

Housing
Cable sheath
Locking screw

Polyamide
Polyurethane
Stainless steel

Type of contact	Cable length	Operational voltage AC min./max.	Voltage drop U at I _{max}	DC switching current, max.	AC switching current, max.	Max. switching frequency kHz	Part No.
	[m]	[V AC]		[A]	[A]		
Reed	0.3	10 / 30	I ² Rs	0.3	0.5	< 0,4	R412022876
electronic PNP	0.1	-	≤ 2,5 V	0.13	-	< 1,0	R412022879
	0.3						R412022863
	3						R412022877
	5						R412022878

Part No.	Operating current, not switched	Operating current, switched	Note
R412022876	-	-	1)
R412022879 R412022863 R412022877 R412022878	< 8 mA	< 30 mA	2)

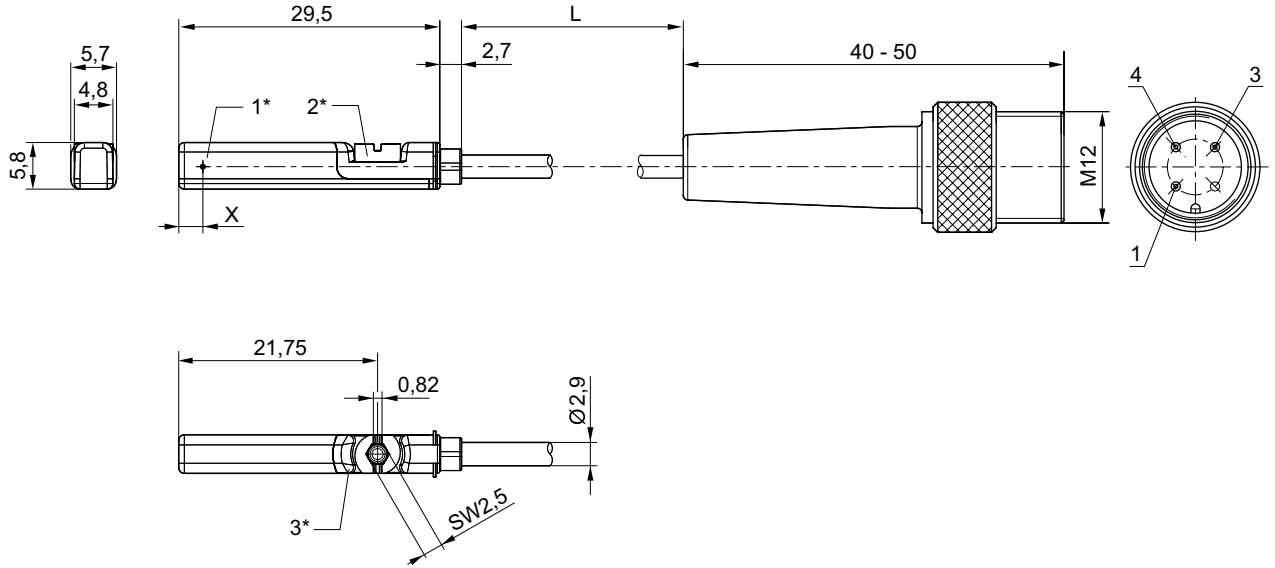
1) Protected against polarity reversal

2) short circuit resistant / Protected against polarity reversal
interfaces: Plug; M12; 3-pin; with knurled screw

LANDVÉLAR

knurled screw

Dimensions



1* = switching point 2* = locking screw 3* = LED window, transparent
 L = cable length
 X = PNP: 11,6 mm, reed: 8,3 mm
 Pin assignment: 1 = (+), 3 = (-), 4 = (OUT)

24623



24714

Certificates

ATEX

Ambient temperature min./max.
Protection class
Switching point precision [mm]
Quiescent current (without load)
DC operating voltage min./max.
Switching logic
LED status display
Vibration resistance
Shock resistance

Materials:

Housing
Cable sheath
Locking screw

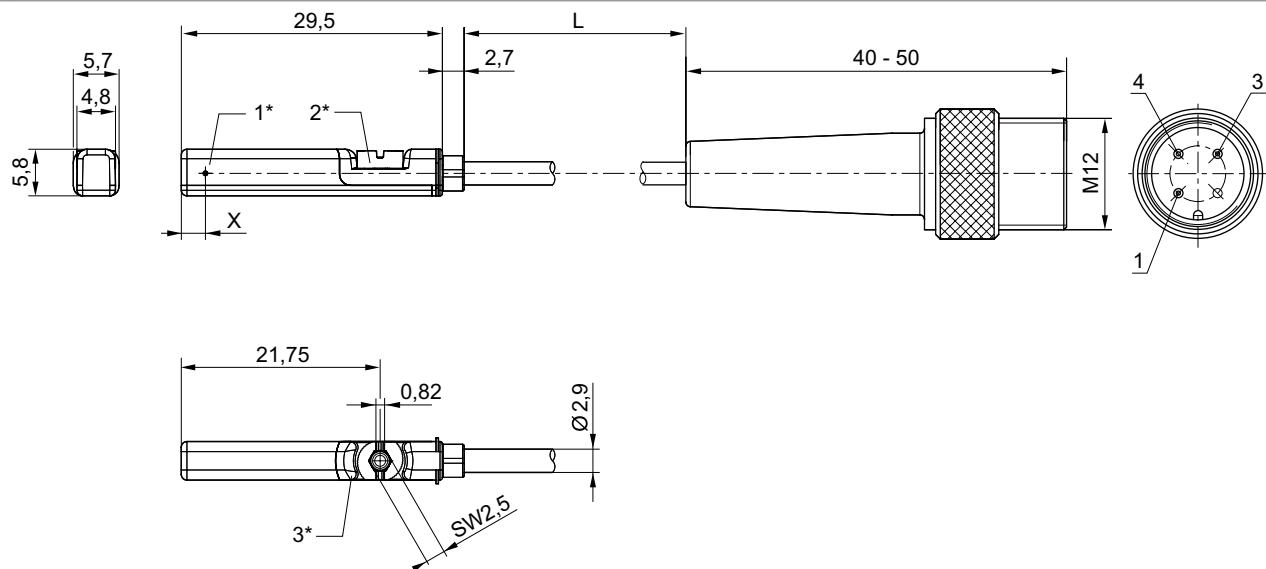
CE declaration of conformity
cULus
RoHS
II 3G Ex nA op is IIC T4 Gc X
II 3D Ex tc IIIC T135°C Dc X
-20°C / +50°C
IP67
±0,1
< 10 mA
10 V DC - 30 V DC
NO (make contact)
Yellow
10 - 55 Hz, 1 mm
30 g / 11 ms

Polyamide
Polyurethane
Stainless steel

Type of contact	Cable length	Voltage drop U at I _{max}	DC switching current, max.	Max. switching frequency kHz	Part No.
	[m]		[A]		
electronic PNP	0.3	≤ 2,5 V	0.1	< 1,0	R412022864

interfaces: Plug; M12; 3-pin; with knurled screw
short circuit resistant / Protected against polarity reversal

Dimensions



1* = switching point 2* = locking screw 3* = LED window, transparent
L = cable length
X = PNP: 11,6 mm
Pin assignment: 1 = (+), 3 = (-), 4 = (OUT)

24623

LANDVÉLAR

1 ▶ heat resistant



24712

Certificates

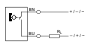
- Ambient temperature min./max.
- Protection class
- Switching point precision [mm]
- Switching logic
- Switching capacity
- Vibration resistance
- Shock resistance

CE declaration of conformity

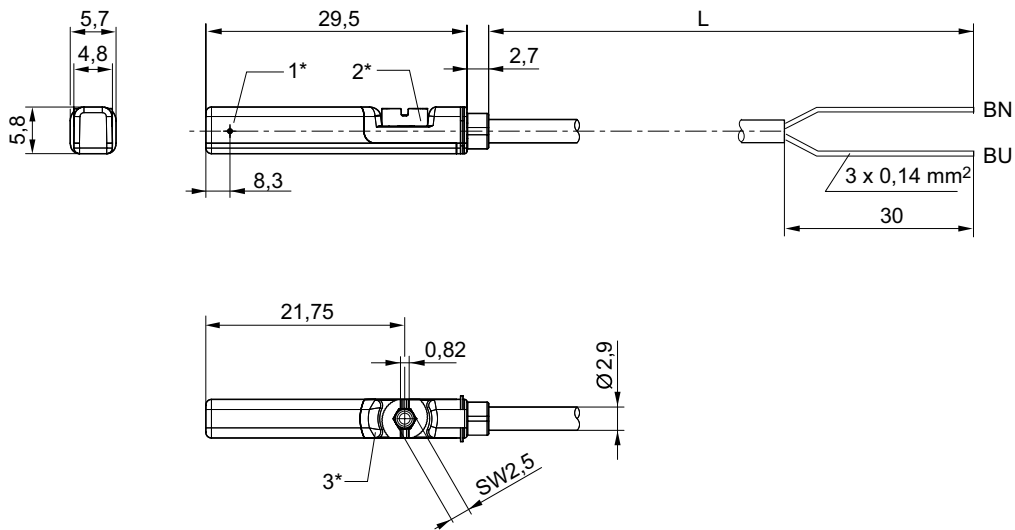
- RoHS
- 20°C / +120°C
- IP65, IP67
- ±0,1
- NO (make contact)
- Reed, 2-pin: max. 10 W
- 10 - 55 Hz, 1 mm
- 30 g / 11 ms

Materials:

- Housing: Polyamide
- Cable sheath: Polyurethane
- Locking screw: Stainless steel

	Type of contact	Cable length	DC operating voltage min./max.	Operational voltage AC min./max.	Voltage drop U at I _{max}	DC switching current, max.	AC switching current, max.	Part No.
		[m]		[V AC]		[A]	[A]	
	Reed	3 10	0 / 30	0 / 30	I*Rs	0.13	0.13	R412022865 R412022867
Part No.								Max. switching frequency kHz
R412022865 R412022867								< 0,4
interfaces: open cable ends; 2-pin Protected against polarity reversal								

Dimensions



1* = switching point 2* = locking screw 3* = LED window, transparent
L = cable length
BN=brown, BU=blue

24619_a

Sens: LANDVÉLAR

> 6 n with I 1x1, 3-pin, with knurled screw, Plug, M12x1, 3-pin,



IM0043806

Certificates	CE declaration of conformity cULus RoHS
Ambient temperature min./max.	-40 °C / +80 °C
Protection class	IP65, IP67, IP68
Switching point precision [mm]	±0,1
Quiescent current (without load)	< 10 mA
DC operating voltage min./max.	10 V DC - 30 V DC
Switching logic	NO (make contact)
LED status display	Yellow
Vibration resistance	10 - 55 Hz, 1 mm
Shock resistance	30 g / 11 ms
Materials:	
Cable sheath	Polyurethane
Locking screw	Stainless steel

Technical Remarks

- Cables must be firmly installed at temperatures of -40 °C to -20 °C.

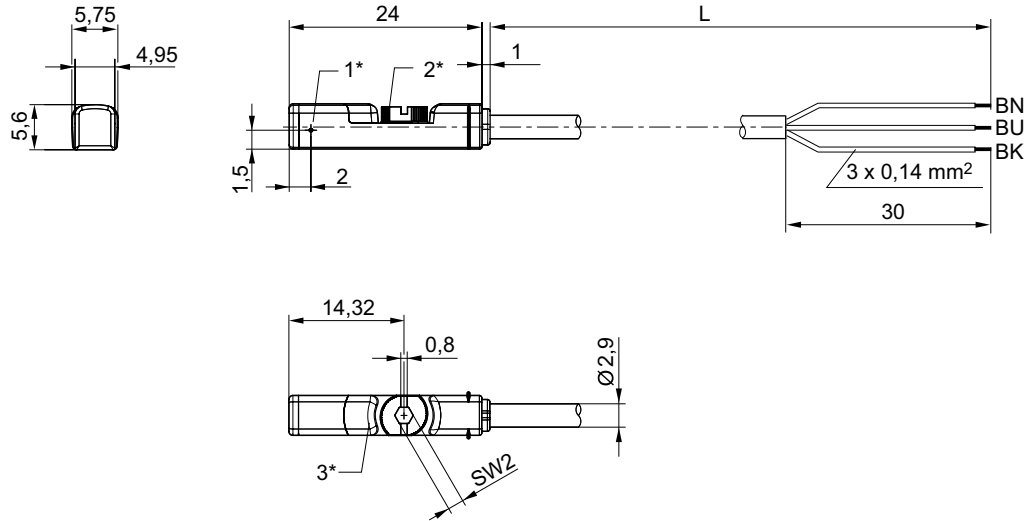
	Type of contact	Cable length	Voltage drop U at I _{max}	DC switching current, max.	Max. switching frequency kHz	Fig.	Note	Part No.
		[m]		[A]				
	electronic PNP	5 0.3 0.3	≤ 2,5 V	0.2	1,0	Fig. 1 Fig. 2 Fig. 3	1); 4) 2); 5) 3); 5)	R412024011 R412024669 R412024670

- 1) interfaces: open cable ends; 3-pin
- 2) interfaces: Plug; M8x1; 3-pin; with knurled screw
- 3) interfaces: Plug; M12x1; 3-pin; with knurled screw
- 4) Material Housing: Polyurethane
- 5) Material Housing: Polyamide
short circuit resistant

LANDVÉLAR

1, Plug, M8x1, 3-pin, with knurled screw, Plug, M12x1, 3-pin,

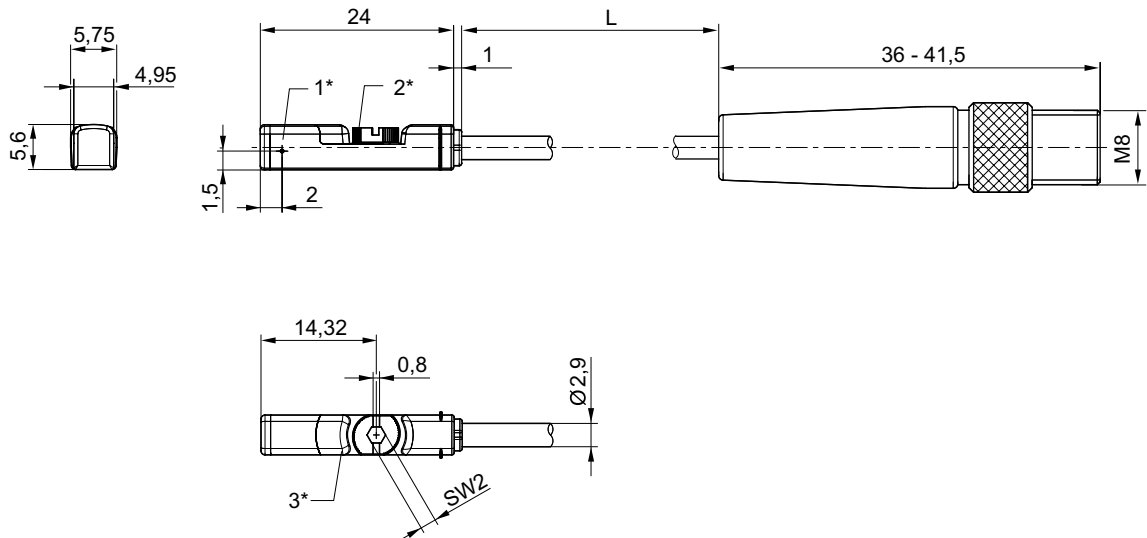
Fig. 1



IM0043808

1* = switching point 2* = locking screw 3* = LED window, transparent
 L = cable length
 BN = brown, BK = black, BU = blue

Fig. 2

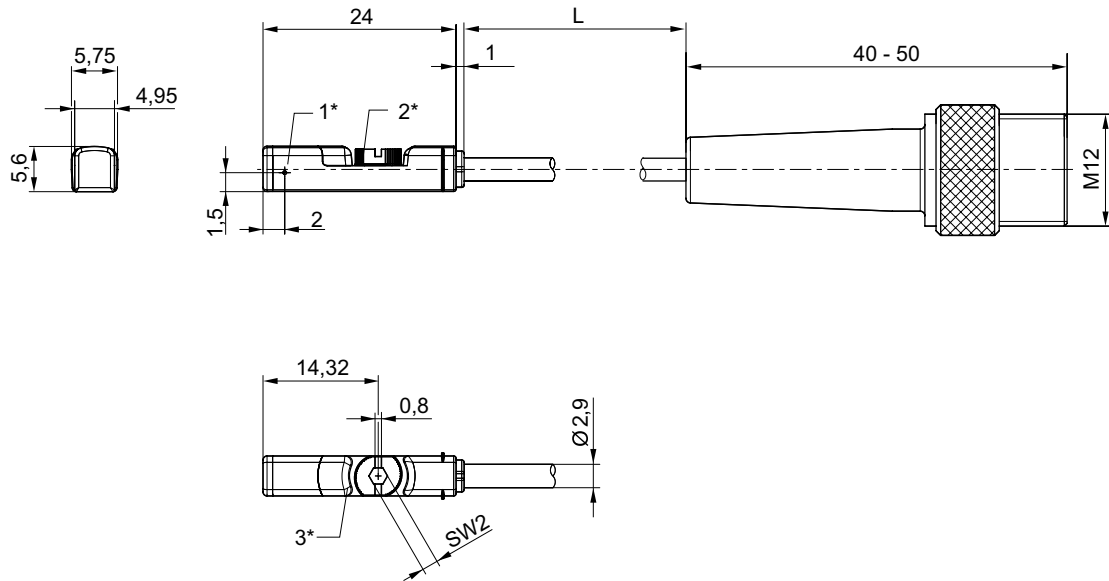


IM0043809

1* = switching point 2* = locking screw 3* = LED window, transparent
 L = cable length

Sens: **LANDVÉLAR** 3x1, 3-pin, with knurled screw, Plug, M12x1, 3-pin,
 > 6 n
 with I

Fig. 3



1* = switching point 2* = locking screw 3* = LED window, transparent
 L = cable length

IM0043810

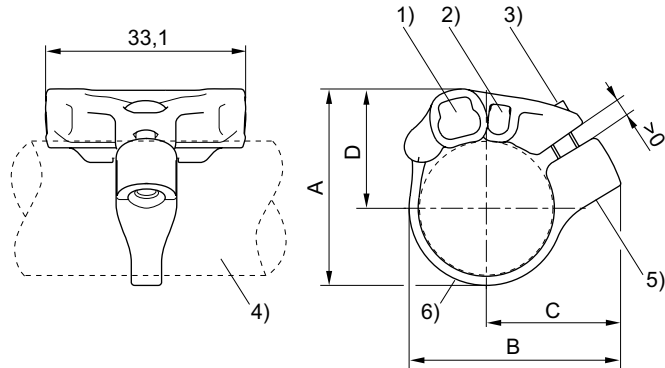
LANDVÉLAR

Sensor mounting, Series CB1

▶ for Series ST4, ST6 ▶ to mount on cylinder MNI, ICM, CSL-RD



IM0043439



IM0043824

1) Sensor slot for ST6 2) Sensor slot for ST4 3) Mounting screw (made of stainless steel) 4) Cylinder profile 5) Thread insert (made of stainless steel) 6) Tightening strap

Part No.	Cylinders Ø [mm]	For series	A	B	C	D	Material	Weight [kg]
R412021791	16	ST4, ST6	27.7	32.5	22.1	17.3	Polyamide Stainless steel	0.007
R412021792	20	ST4, ST6	32.4	35	22.4	19.7	Polyamide Stainless steel	0.007
R412021793	25	ST4, ST6	37.4	39.5	24.3	22.2	Polyamide Stainless steel	0.007

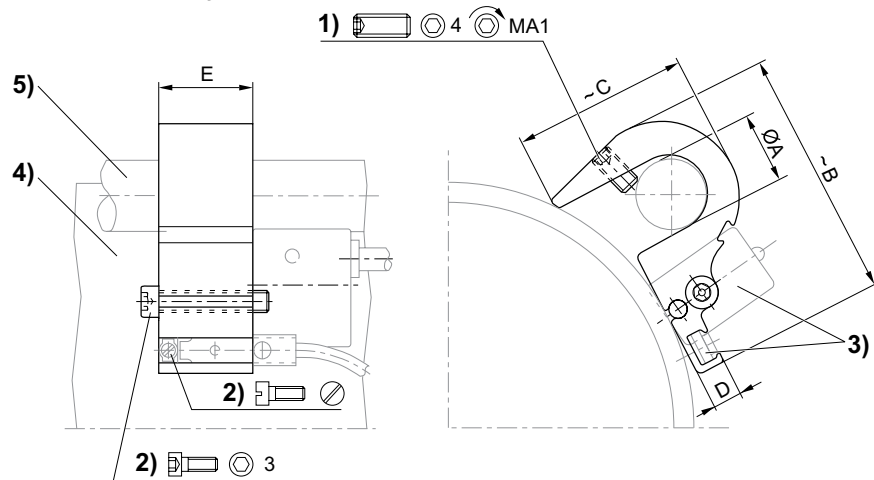
Part No.	Delivery quantity [Piece]									
R412021791	1									
R412021792	1									
R412021793	1									

Sensor mounting, Series CB1

▶ for Series ST6, SM6, SN1, SN2 ▶ to mount on cylinder TRB, C12P, CVI, 523



00105957



00105014

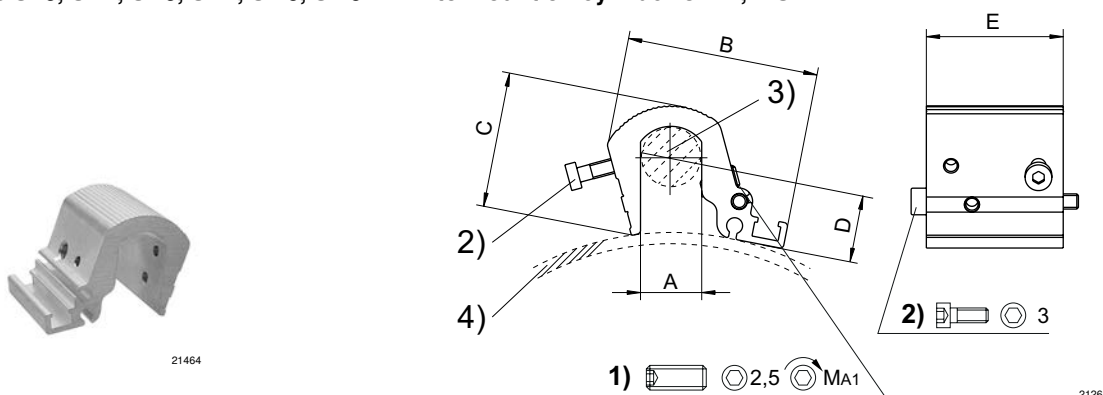
1) Clamping threaded pin 2) Mounting screw for sensor 3) Sensor 4) Cylinder profile 5) Tie rod

Part No.	Cylinders Ø [mm]	For series	Ø A	B	C	D	E	1)	MA1 [Nm]
1827020292	125 - 125	ST6, SM6, SN1, SN2	12	45	29	6.5	21	M5x10	2

Part No.	Material	Weight [kg]							
1827020292	Aluminum	0.031							

Sensor mounting, Series CB1

▶ for Series ST6, SN2, SN6, SN1, SM6, SM6-AL ▶ to mount on cylinder C12P, ITS



1) Clamping threaded pin 2) Mounting screws for sensor 3) Tie rod 4) Cylinder profile

Part No.	Cylinders Ø [mm]	For series	A	B	C	D	E	MA1 [Nm]	Material
R412017979	160 - 200	ST6, SN2, SN6, SN1, SM6, SM6-AL	16	51	36	6.8	36	2	Aluminum
R412017980	250 - 320	ST6, SN2, SN6, SN1, SM6, SM6-AL	24	56	44.5	6.8	36	2	Aluminum

Part No.	Weight [kg]								
R412017979	0.058								
R412017980	0.073								

Scope of delivery: Incl. mounting screws

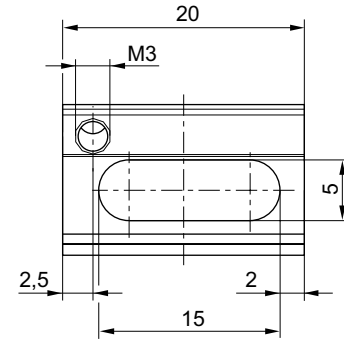
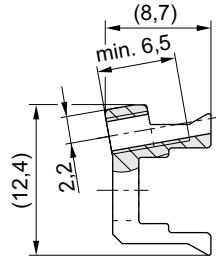
LANDVÉLAR

Sensor mounting, Series CB1

▶ for Series ST6 ▶ to mount on cylinder KHZ



24744



24662

Part No.	For series	Material	Weight [kg]						
R422100250	ST6	Aluminum	0.034						

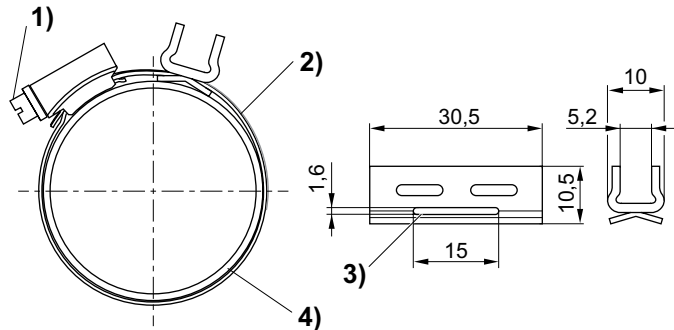
Scope of delivery: incl. threaded pin

Sensor mounting, Series CB1

▶ for Series ST6 ▶ to mount on cylinder CSL-RD, ICM, ICS-D1, ICS-D2, RPC



24739



24640

1) Mounting screw 2) Tightening strap 3) Opening for tightening strap 4) Cylinder tube

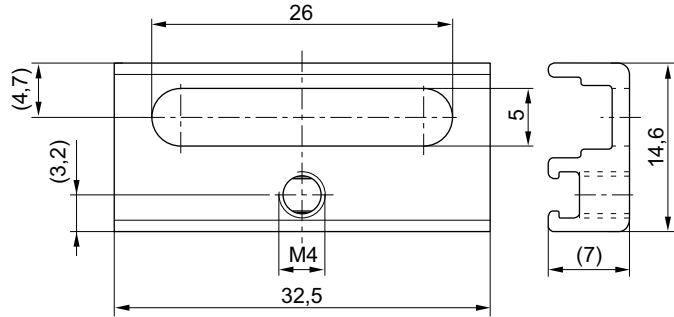
Part No.	Cylinders Ø [mm]	Cylinder tube Ø [mm]	For series	Material	Weight [kg]	Fig.		
R412024050	25 - 32	25 - 40	ST6	Stainless steel	-	Fig. 2		
R412024051	40	32 - 50	ST6	Stainless steel	-	Fig. 2		
R412024052	50	40 - 60	ST6	Stainless steel	-	Fig. 2		
R412024053	63	50 - 70	ST6	Stainless steel	-	Fig. 2		
R412024054	-	-	ST6	Stainless steel	0.011	Fig. 1		

Sensor mounting, Series CB1

▶ for Series ST6 ▶ to mount on cylinder ICL



24743



24663

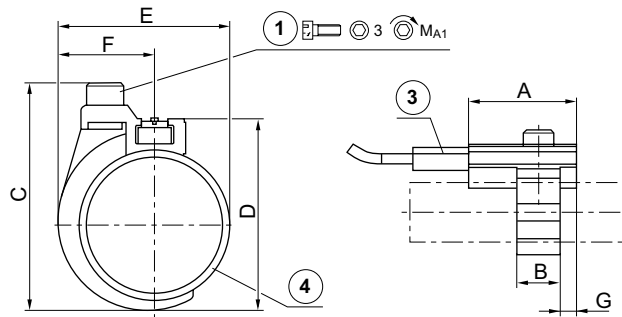
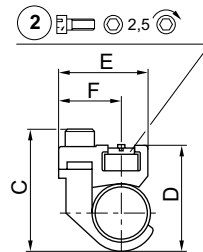
Part No.	For series	Material	Weight [kg]							
R402000040	ST6	Aluminum	0.006							
Scope of delivery: incl. threaded pin										

Sensor mounting, Series CB1

▶ for Series ST6, SM6 ▶ to mount on cylinder MNI, ICM



00110587



00111947

1) Mounting screw 2) Mounting screw for sensor 3) Sensor 4) Cylinder pipe

Part No.	Cylinders Ø [mm]	For series	A	B	C	D	E	F	G	1)	MA1 [Nm]
1827020296	10	ST6, SM6	20	8	24	19	17,5	11,8	3	M3x8	1 +0,2
1827020297	12	ST6, SM6	20	8	26	22	19	11,8	3	M3x8	1 +0,2

LANDVÉLAR

Part No.	Cylinders Ø [mm]	For series	A	B	C	D	E	F	G	1)	MA1 [Nm]
1827020298	16	ST6, SM6	20	12	34	30	23	13.8	4	M4x10	2 +0,3
1827020299	20	ST6, SM6	20	12	38	32	26	13.8	4	M4x10	2 +0,3
1827020300	25	ST6, SM6	20	12	43	37	31	13.8	4	M4x10	2 +0,3

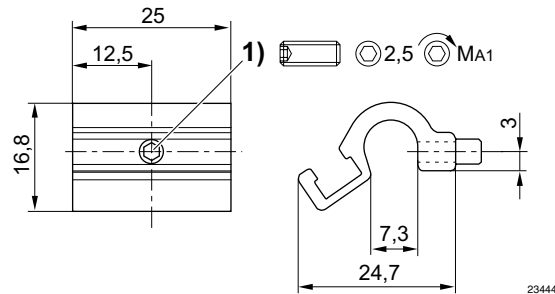
Part No.	Material	Weight [kg]									
1827020296	Aluminum	0.009									
1827020297	Aluminum	0.01									
1827020298	Aluminum	0.014									
1827020299	Aluminum	0.014									
1827020300	Aluminum	0.015									

Sensor mounting, Series CB1

▶ for Series ST6, SM6 ▶ to mount on cylinder Series 167



23683



23444

1) Mounting screw

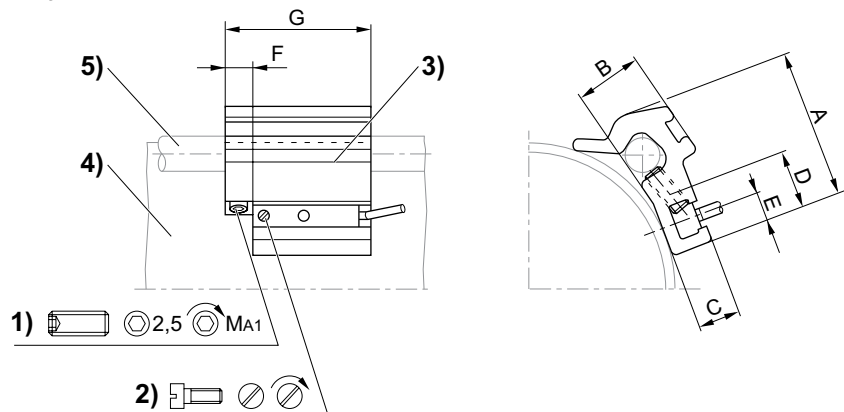
Part No.	Cylinders Ø [mm]	For series	MA1 [Nm]	Material	Weight [kg]	Delivery quantity [Piece]		
R412022357	25	ST6, SM6	1 + 0,3	Aluminum	0.01	1		

Sensor mounting, Series CB1

▶ for Series ST6, SM6 ▶ to mount on cylinder TRB, C12P, 167, CVI, TRR, 523



103627



00105013

1) Clamping threaded pin 2) Mounting screw for sensor 3) Sensor 4) Cylinder profile 5) Tie rod

Sen: **LANDVÉLAR**
Acce

Part No.	Cylinders Ø [mm]	For series	A	B	C	D	E	F	G	1)	MA1 [Nm]
1827020282	32 - 40	ST6, SM6	26	10	7	14	5	8	40	M5x8	2 ±0,2
1827020283	50 - 63	ST6, SM6	32.5	15.5	7	14	5	8	40	M5x10	2 ±0,2
1827020284	80 - 100	ST6, SM6	43	17	6.9	14	5	8	40	M5x16	2 ±0,2

Part No.	Material	Weight [kg]								
1827020282	Aluminum	0.016								
1827020283	Aluminum	0.029								
1827020284	Aluminum	0.042								

AVENTICS GmbH
Ulmer Straße 4

LANDVÉLAR

info@aventics.com

Find more contact information at
www.aventics.com/contact

AVENTICS 

Only use the AVENTICS products shown in industrial applications. Read the product documentation completely and carefully before using the product.

Observe the applicable regulations and laws of the respective country. When integrating the product into applications, note the system manufacturer's specifications for safe use of the product.

The data specified only serve to describe the product.

No statements concerning a certain condition or suitability for a certain application can be derived from our information.

The information given does not release the user from the obligation of own judgment and verification.

It must be remembered that the products are subject to a natural process of wear and aging.

23-09-2016

An example configuration is depicted on the title page. The delivered product may thus vary from that in the illustration. Subject to change. © AVENTICS S.à r.l.

This document, as well as the data, specifications and other information set forth in it, are the exclusive property of AVENTICS S.à r.l.. It may not be reproduced or given to third parties without its consent. PDF online