



EQUIPAGGIAMENTI
TECNICI
L'AVAGGIO

UNIVERSAL GUN

24/05/11

(GB)

RED TRIGGER P/N 15.0003.11

FEATURES:

- * Body and sealing seat in polypropylene reinforced with fiberglass.
- * Pin in polypropylene reinforced with fiberglass.
- * Seal obtained by ball in tempered stainless steel AISI 420 and spring in stainless steel AISI 302
- * Seals in NBR
- * Rear fluid entry
- * Inlet / Outlet G 1/2 F
- * Max Pressure 25bar – 2.5Mpa (363psi)
- * Max Flow rate 70 l/min (18.5 USGp.m.)
- * Max temperature 50°C (120° F)
- * Weight 131 gr (4.62 oz.)

BLUE TRIGGER P/N 15.0003.12

FEATURES:

- * Body and sealing seat in polypropylene reinforced with fiberglass
- * Pin in stainless steel AISI 303
- * Seal obtained by ball in tempered stainless steel AISI 420 and spring in stainless steel AISI 302
- * Seals in VITON
- * Rear fluid entry
- * Inlet / Outlet G 1/2 F
- * Max Pressure 25bar – 2.5Mpa (363psi)
- * Max Flow rate 70 l/min (18.5 USGp.m.)
- * Max temperature 50°C (120° F)
- * Weight 131 gr (4.62 oz.)

GREEN TRIGGER P/N 15.0014.12

FEATURES:

- * The gun always leaks a small quantity of fluid
- Pressure loss: 2.8bar – 0.3Mpa (40psi) equal to 1–1.3 l/min 0.3 USGp.m.
- * Body and sealing seat in polypropylene reinforced with fiberglass
- * Pin in stainless steel AISI 316
- * Seal obtained by ball in stainless steel AISI 316 and spring in stainless steel AISI 316
- * Seals in VITON
- * Rear fluid entry
- * Inlet / Outlet G 1/2 F
- * Max Pressure 25bar – 2.5Mpa (363psi)
- * Max Flow rate 70 l/min (18.5 USGp.m.)
- * Max temperature 50°C (120° F)
- * Weight 131 gr (4.62 oz.)

GREY TRIGGER P/N 15.0013.12

FEATURES:

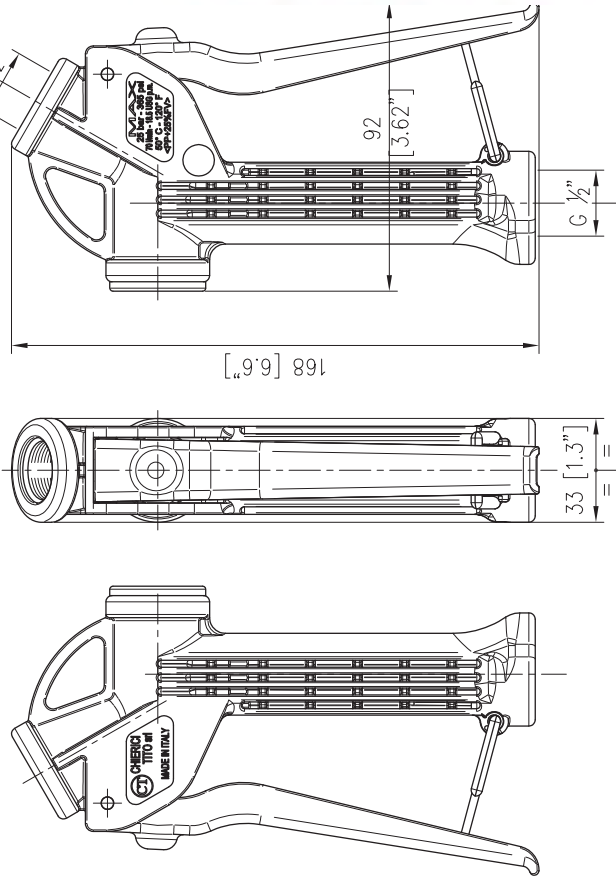
- * Body and sealing seat in polypropylene reinforced with fiberglass
- * Pin in stainless steel AISI 316
- * Seal obtained by ball in stainless steel AISI 316 and spring in stainless steel AISI 316
- * Seals in VITON
- * Rear fluid entry
- * Inlet / Outlet G 1/2 F
- * Max Pressure 25bar – 2.5Mpa (363psi)
- * Max Flow rate 70 l/min (18.5 USGp.m.)
- * Max temperature 50°C (120° F)
- * Weight 131 gr (4.62 oz.)

BROWN TRIGGER P/N 15.0015.12

FEATURES:

- * Body and sealing seat in polypropylene reinforced with stapled fiberglass
- * Pin in stainless steel AISI 316
- * Seal obtained by ball in stainless steel AISI 316 and spring in stainless steel AISI 316
- * Seals in VITON
- * Rear fluid entry
- * Inlet / Outlet G 1/2 F
- * Max Pressure 25bar – 2.5Mpa (363psi)
- * Max Flow rate 70 l/min (18.5 USGp.m.)
- * Max temperature 50°C (120° F)
- * Weight 131 gr (4.62 oz.)

DIMENSIONAL DRAWING



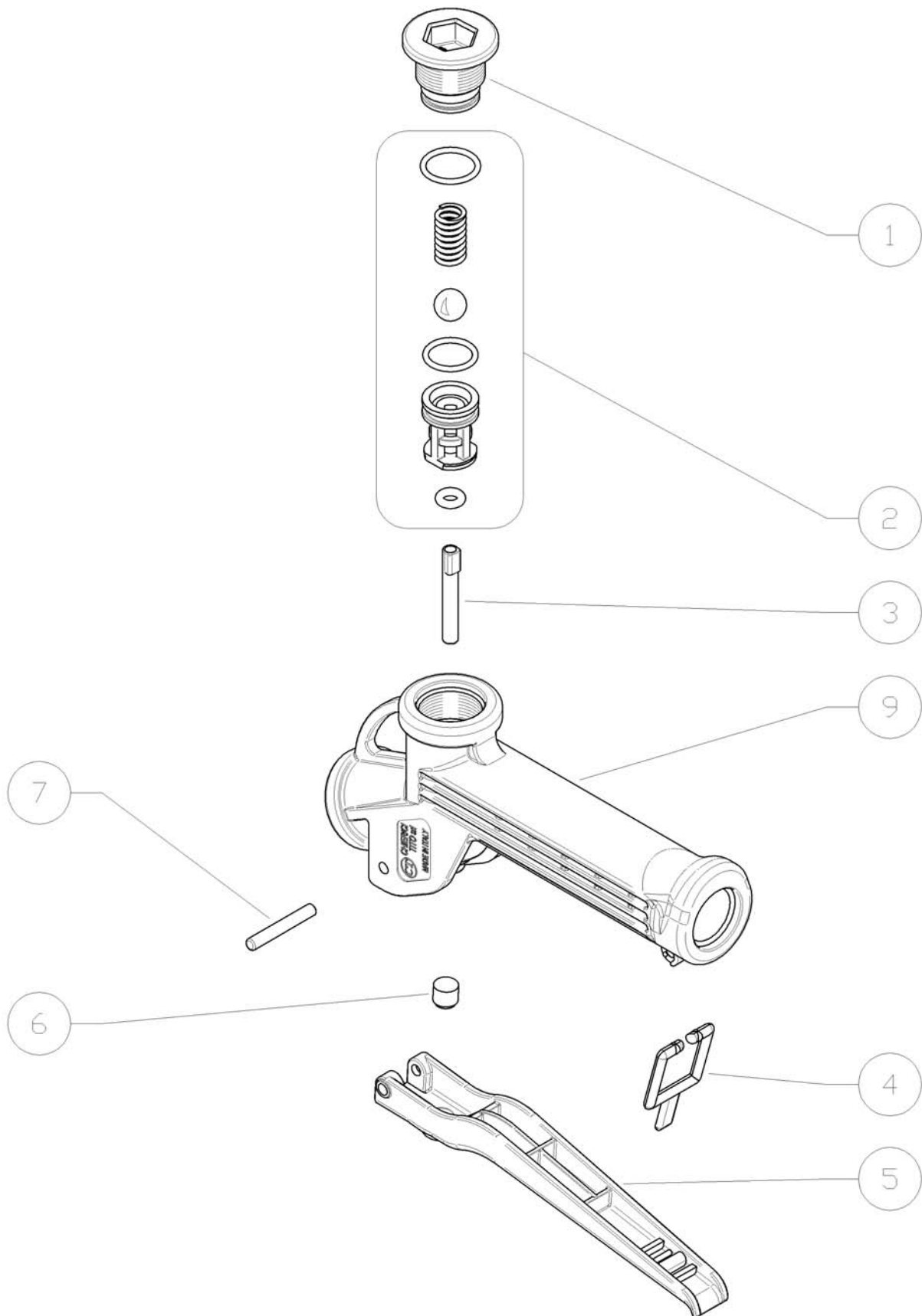
LANDVÉLAR

15.0003.10 CP12-06 sp. gun, yellow trigger

15.0003.11 CP12-02 sp.gun red trigger

15.0003.12 CP12-00 sp. gun, blue trigger

15.0013.12 CP12-04 sp. gun, grey trigger



Pos.	P/N	Description	Q.ty	K1	K2	K3	K4	
1	13.0003.24	Plug -Universal, PP black	1					5
1	13.0003.39	Plug -Universal gun, Pa6 (1)	1					5
2	99.0003.04	Spares kit,Univer.gun, blue trig. (2)	1					1
2	99.0003.16	Spares kit -Universal gun, yellow trigger (1)	1					1
2	99.0003.03	Spares kit,Universal gun, red trigger (3)	1					1
2	99.0003.13	Spares kit,Univer.gun, grey trigger (4)	1					1
3	12.0050.08	Parallel pin, 5x36 mm Sst.	1					5
3	13.0003.55	Parallel pin, 5x36 mm PP (3)	1					5
3	12.0050.18	Parallel pin, 5x36 mm Sst.316 (4)	1					5

Pos.	P/N	Description	Q.ty	K1	K2	K3	K4	
4	13.0003.30	Red safety latch, Universal gun	1					10
5	13.0003.32	Blue trigger -Universal gun (2)	1					10
5	13.0003.31	Red trigger -Universal gun (3)	1					3
5	13.0003.35	Yellow trigger -Universal gun (1)	1					3
5	13.0003.36	Gray trigger -Universal gun (4)	1					3
6	13.0003.28	Stop pin, 8x7 mm	1					5
7	12.0050.21	Parallel pin, 4x28 mm	1					5
9	13.0003.11	Casing -Universal gun, PP	1					10
9	13.0003.27	Casing -Universal gun, Pa6 (1)	1					10

(1) 15.0003.10 (2) 15.0003.12 (3) 15.0003.11 (4) 15.0013.12



P.A. S.p.A.

Via Milano, 13
42048 Rubiera, Reggio Emilia - Italy

Tel +39.0522.623611
Fax +39.0522.629600

info@pa-etl.it

www.pa-etl.it



COMPANY WITH QUALITY MANAGEMENT
SYSTEM CERTIFIED BY DNV
= ISO 9001 =