

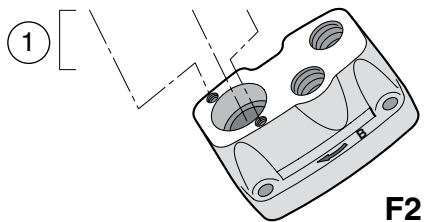
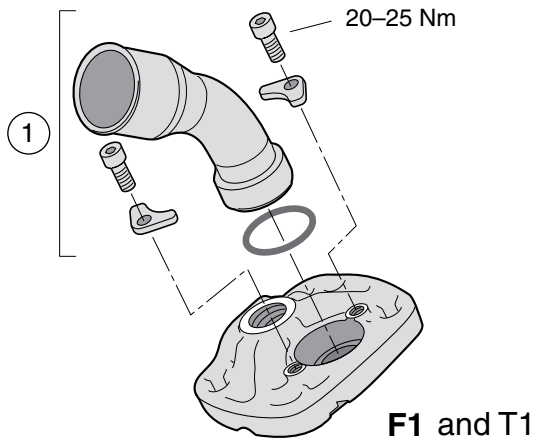


Visit our homepage for additional support
parker.com/pmde

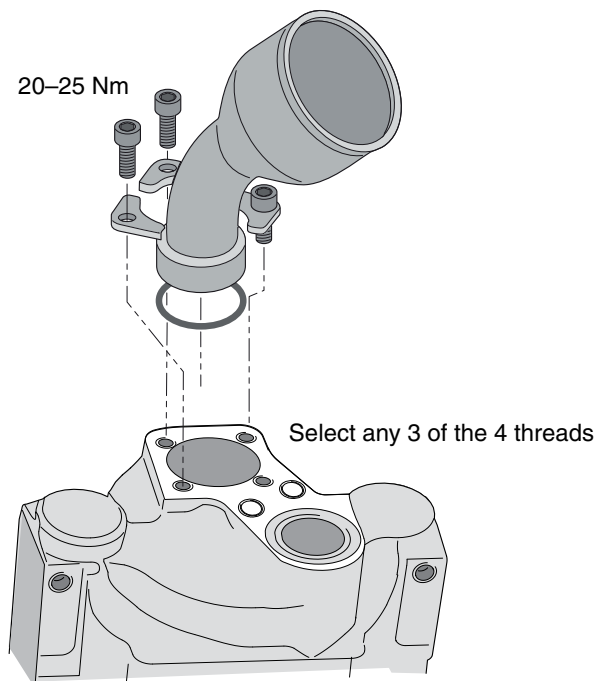
Installation information for suction fitting on pump Series F1, T1, F2, VP1

Effective: March 01, 2018
Supersedes: June 15, 2016

Installation of suction fitting on pump, series F1, T1 and F2



Installation of suction fitting on pump, serie VP1



Parker Hannifin Manufacturing Sweden AB MSG30-8209-INST/UK
Pump & Motor Division Europe Art. No 3720554-02
Flygmotorvägen 2
461 82 Trollhättan
Sweden
Tel. +46 (0)520 40 45 00
www.parker.com/pmde

© Copyright 2018
All rights reserved

Fittings

Suction fittings

for series F1, F2 and T1 pumps

A 'suction fitting' consists of a straight, 45°, 90° or 135° suction fitting, clamps, cap screws and O-ring.

'Straight' suction fittings

Ordering no.	A mm	B mm	C dia. mm (in.)
378 0635	0	85	38 (1½")
378 0636	17	136	50 (2")
378 0637	25	145	63 (2½")
378 3523 ³⁾	15	174	75 (3")
378 0973	17	136	45
378 0974	17	136	48

45° suction fittings

Ordering no.	A mm	B mm	C dia. mm (in.)
378 1234 ¹⁾	60	104	32 (1¼")
378 0633 ¹⁾	60	104	38 (1½")
378 0364 ²⁾	67	110	50 (2")
378 0634	75	117	63 (2½")
378 3367 ³⁾	88	129	75 (3")
378 1062	67	110	40
378 0975	67	110	45
378 0965	67	110	48

Suctions fittings for VP1-045/075 see page 32.

- 1) Suitable for frame size F1-25.
- 2) Suitable for frame size F1-41, -51, -61, -81, -101.
- 3) To be used for VP1-120 (3 clamps and 3 screws)

90° suction fittings

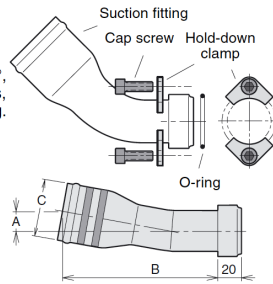
Ordering no.	A mm	B mm	C dia. mm (in.)
378 0978	126	83	38 (1½")
378 0979	135	83	50 (2")
378 1980	147	103	63 (2½")
378 0976	135	83	45
378 0977	135	83	48

135° suction fitting

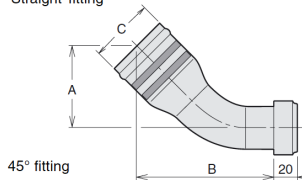
Ordering no.	A mm	B mm	C dia. mm (in.)
378 1867	166	73	50 (2")

NOTE: A suction fitting *must be ordered separately* (not included with the pump).

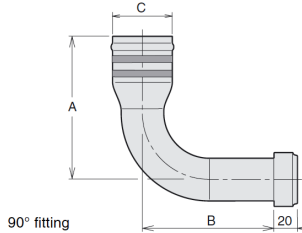
Fittings for VP1-045/075 see page 32



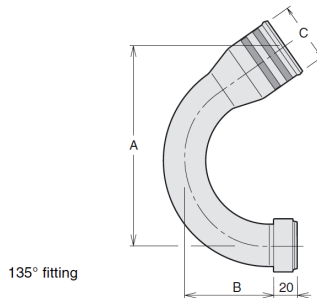
'Straight' fitting



45° fitting



90° fitting



135° fitting