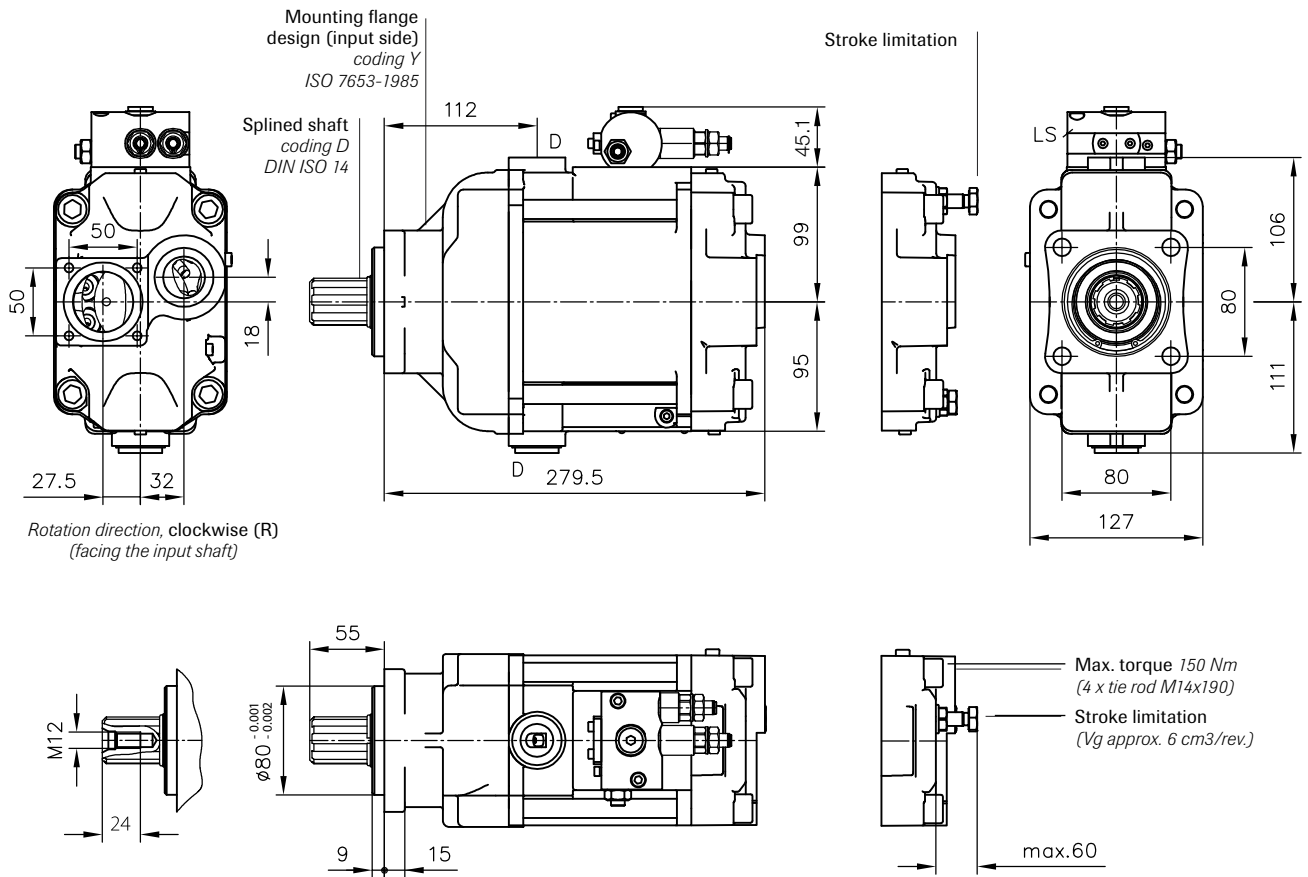
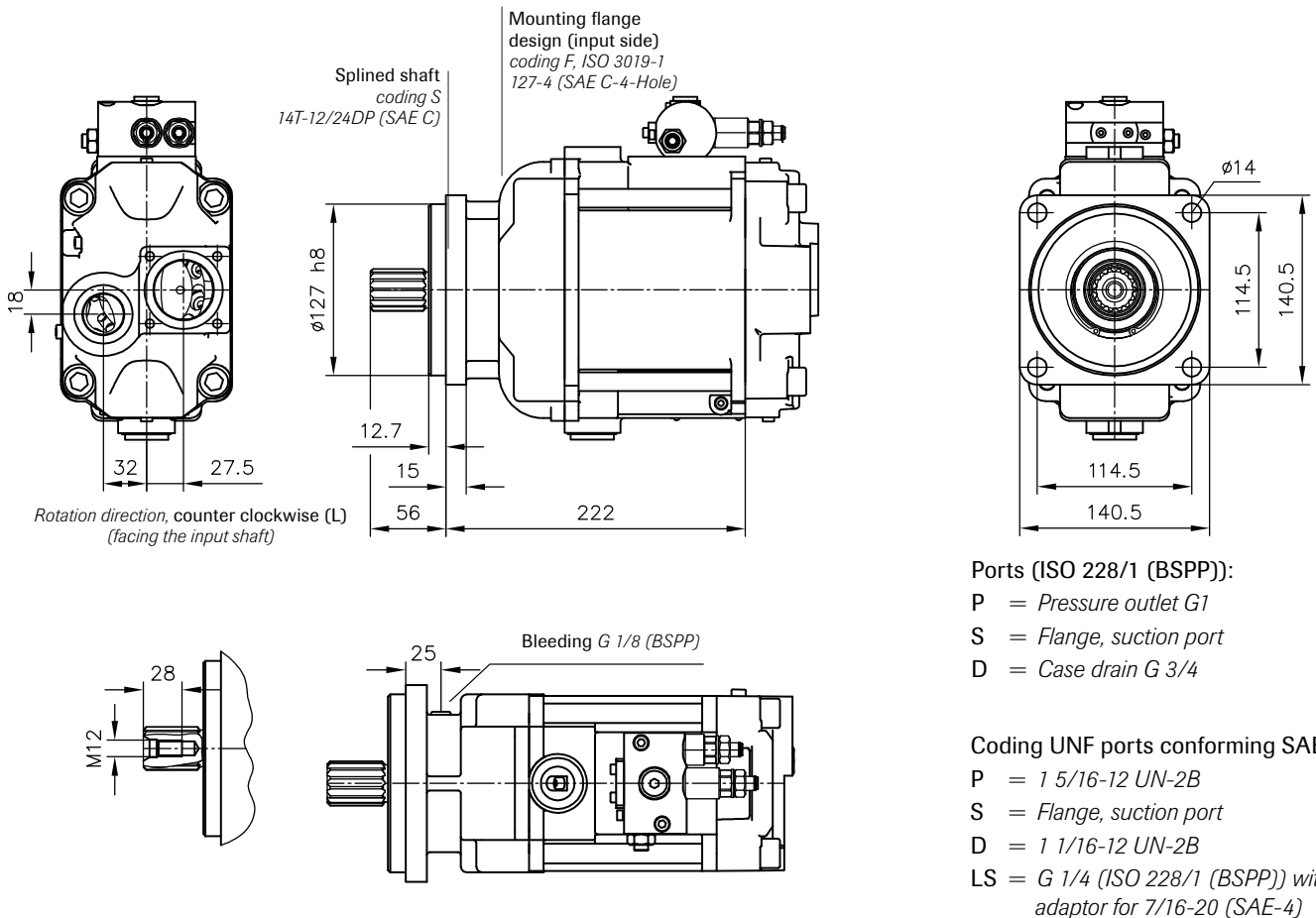




SVH 112

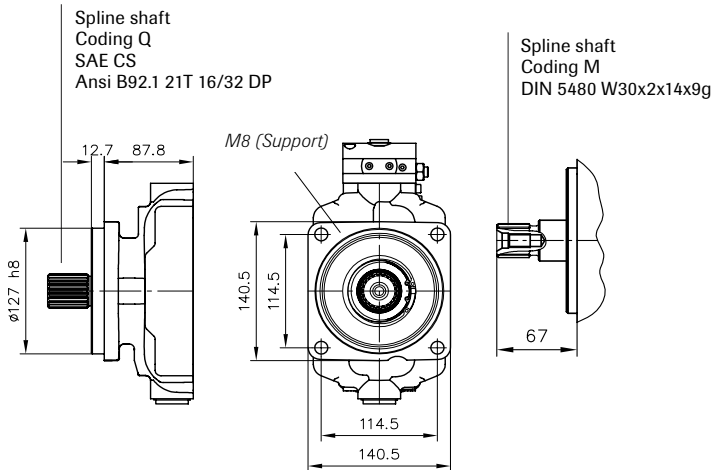


Additional input shaft designs and mounting flange design

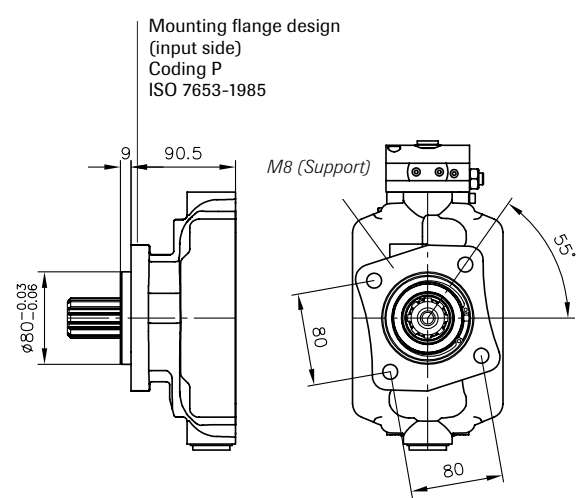




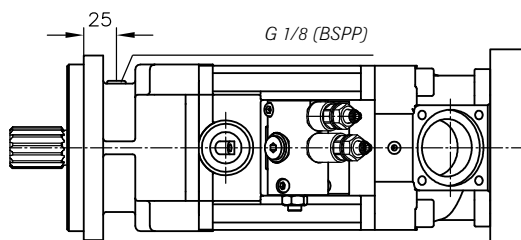
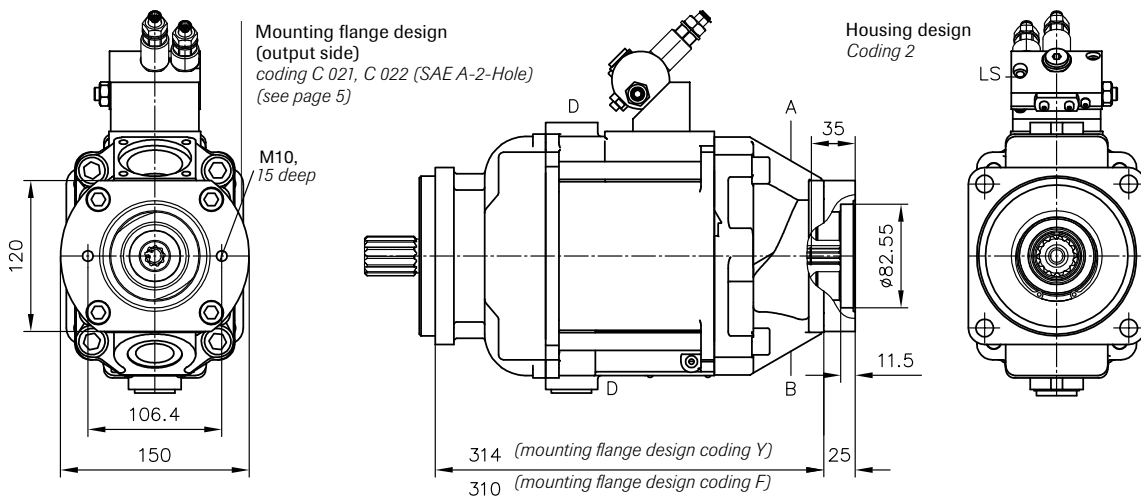
Additional input shaft designs



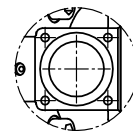
Additional mounting flange design



SVH 112 with thru-shaft



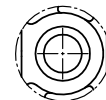
Suction port A



Right hand

- A Suction port
- B Pressure outlet

Pressure outlet B



Left hand

- A Pressure outlet
- B Suction port

For port sizes, see page 13

