



Bypass Valves **100 070 240, 250, 260**

Bypass Valves

Product nr.	100 070 240
Pressure Range	40-150BAR
Flow Range	0-140L/Min
Inlet Port	3/4" F
Outlet Port	3/4" F
Bypass Port	1" F
Max Temperature	90°C
Weight	3.7kg

Product nr.	100 070 250
Pressure Range	40-200BAR
Flow Range	0-260L/Min
Inlet Port	1" F
Outlet Port	1" F
Bypass Port	1 1/4" F
Weight	4.3kg

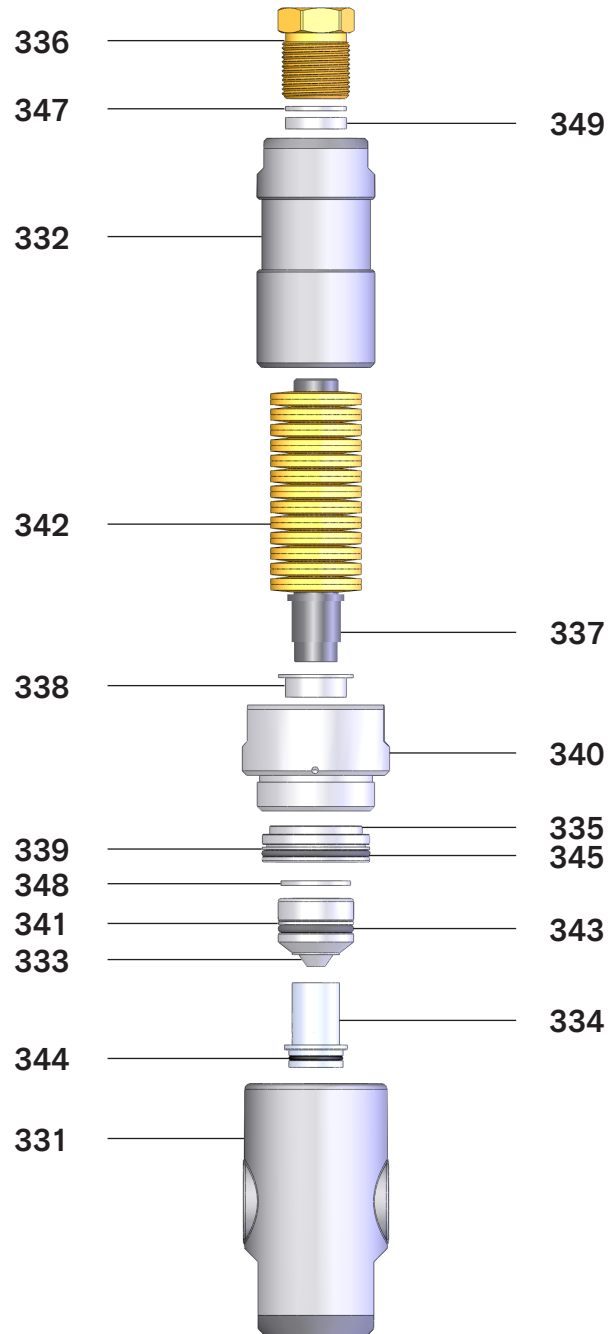
Product nr.	100 070 260
Pressure Range	40-200BAR
Flow Range	0-390L/Min
Inlet Port	1 1/4" F
Outlet Port	1 1/4" F
Bypass Port	1 1/2" F
Weight	4.4kg

Features

- Lightweight design for easy installation
- Unique high velocity design assures consistent pressure for multiple pump or shut-off gun installations
- Adjusting nut allows easy calibrated pressure adjustment
- Multiple regulators can be installed in parallel to handle larger volumes
- No external moving parts. Stainless Steel, PEEK and NBR internal parts for temperature, wear and liquid compatibility

Caution

All systems require both a primary pressure regulating device (i.e., regulator, unloader) and a secondary pressure safety relief device (i.e., pop-off valve, safety valve). Failure to install such relief devices could result in personal injury, damage to the pump or to system components. We do not assume any liability or responsibility for the operation of a customer's high pressure system.



Item	Description	Material	Part nr.	240	250	260
331	Valve Body Lower	Cast 316	110 070 078	x		
			110 070 501		x	
			110 070 401			x
332	Valve Body Upper	Cast 304	110 070 080	x	x	x
333	Piston PEEK	PEEK	110 070 082	x		
			110 070 403		x	x
334	Seat	SS316	110 070 081	x		
			110 070 402		x	
			110 070 502			x
335	Cylinder	SS316	110 070 083	x		
			110 070 404		x	x
336	Pressure adjustment screw	Brass	110 070 103	x	x	x
337	Pin	SS304	110 070 101	x	x	x
338	Bushing	Plastic	110 070 102	x	x	x
339	Teflon ring 27.7x32 x1	PTFE	110 070 087	x	x	x
340	BV Adapter	Cast 304	110 070 104	x	x	x
341	Teflon ring 15.8x21.9x1.2	PTFE	110 070 088	x	x	x
342	Spring Washer	High Tension Steel	110 070 090	x	x	x
343	O-ring 26.57x3.53	NBR 90	510 500 607	x	x	x
344	O-ring 20.35x1.78	NBR 90	510 500 109	x		
			510 500 137		x	x
345	O-ring 42.52x2.62	NBR 90	510 500 110	x	x	x
347	2mm washer	SS304	110 070 097	x	x	x
348	Washer	SS304	110 070 405		x	x
349	5mm washer	SS304	110 070 105	x	x	x
			110 070 298	x		
			110 070 289		x	
	Repair set		110 070 290			x