



BUILD-IN VALVES AND SUPPLY STOPS

348 Supply stop with nut and washer



SIZE	PRESSURE	CODE	PACKING
1/2" (DN 15)	8bar/116psi	3480012	10/140

CERTIFICATIONS



TECHNICAL SPECIFICATIONS

Available size 1/2"x mm.10.

Male thread.

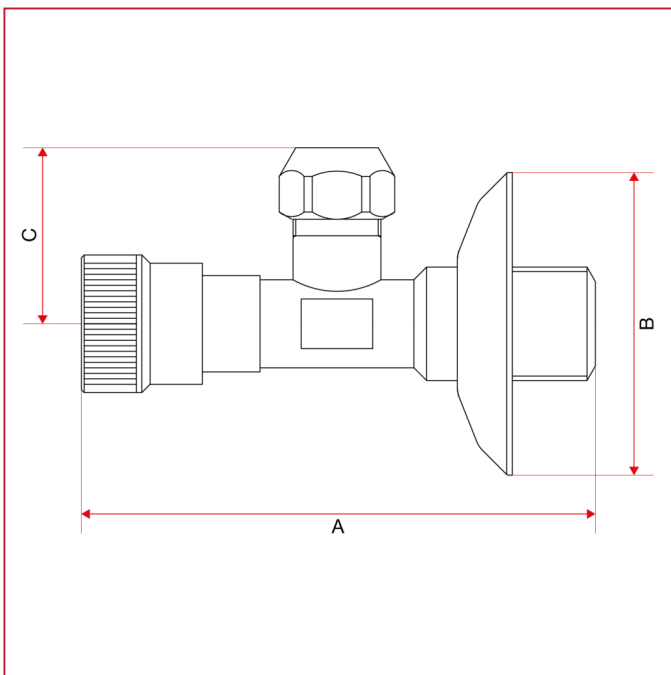
Body in chrome-plated brass.

Cover plate in stainless steel.

Minimum and maximum working temperatures: 0°C, 80°C.

Threads: ISO 228 (equivalent to DIN EN ISO 228 and BS EN ISO 228).

OVERALL DIMENSIONS

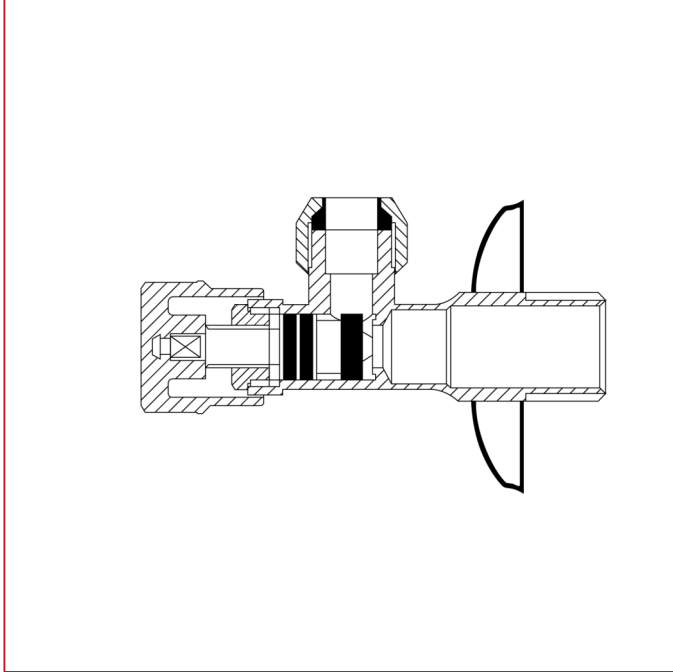




BUILD-IN VALVES AND SUPPLY STOPS

	1/2"
A	90
B	55
C	31
Kg/cm ² bar	8
LBS - psi	116

MATERIALS



POS.	DESCRIPTION	N.	MATERIAL
1	Body	-	Chrome-plated brass CW617N
2	Washers	-	NBR
3	Ring	-	P.T.F.E.
4	Handle	-	Zama
5	Cover plate	-	Stainless steel AISI 430