

ORLANDO srl

**PM/5 - PT/5 - PM/12 - PT/12 - PRESSURE SWITCHES
FOR WATER SYSTEM APPLICATIONS**

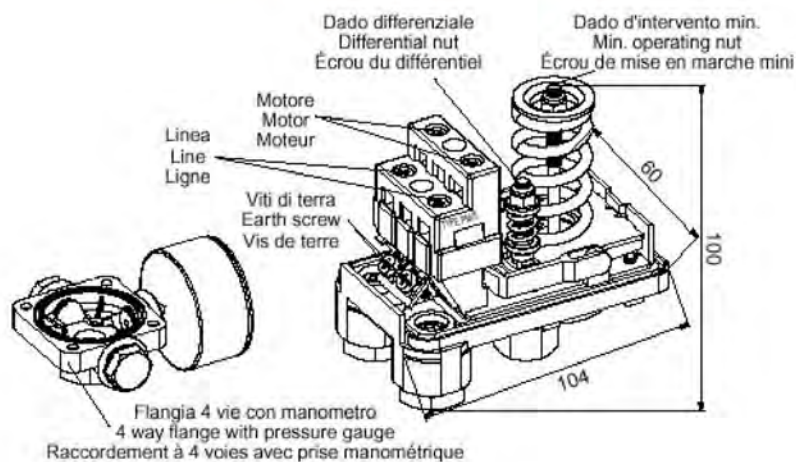


Cod: IT PT 5 - IT PM 5



Cod: IT ORL PT 5 40

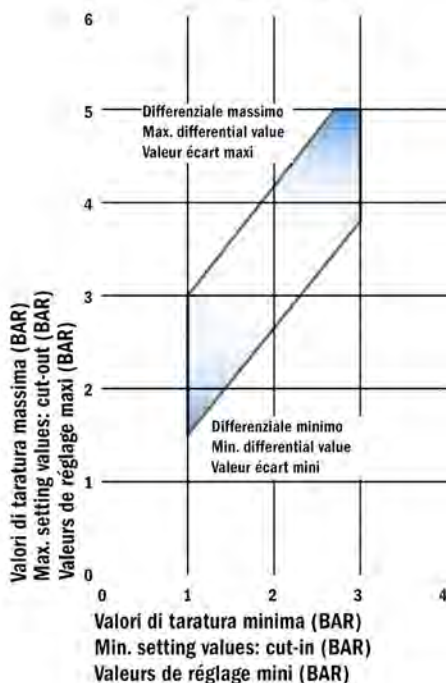
PM/5 - PM/12 - PT/5 - PT/12



- Pressure switches for use with water in **autoclave systems**.
- The switch ensures automatically the starting and stopping of the electric pump according to the set pressure values.
- Electric contacts: normally closed and made of brass alloy with Ag-Ni surfacing.
- Terminals with M4 screws and 8x8 mm pressure dice.
- NBR rubber membrane with textile insert (food grade for PM/5 - PT/5).
- ¼" F hydraulic connection made of galvanized steel.
- Standard protection degree IP 44.
- Max ambient temperature: 55°C.
- Tear resistant cable clamps.

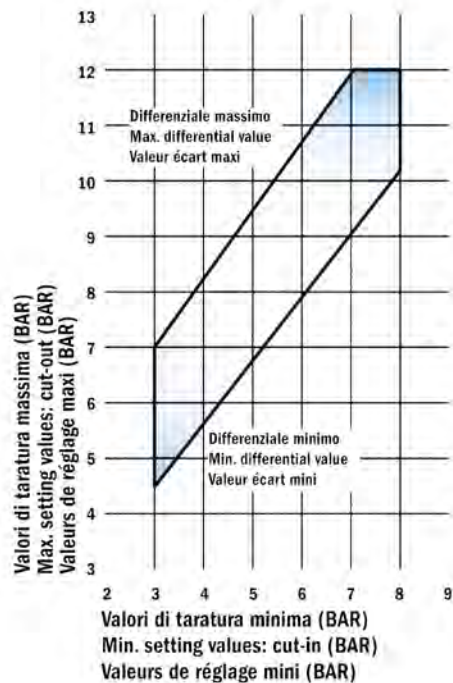
SETTING DIAGRAM

PM/5 - PT/5



SETTING DIAGRAM

PM/12 - PT/12



TECHNICAL DATA	PM/5	PM/6	PM/12	PT/5	PT/6	PT/12
Campo di regolazione: Pressure range:	1 - 5	1,5 - 5,5	3 - 12	1 - 5	1,5 - 5,5	3 - 12
Limite d'utilisation:	bar	bar	bar	bar	bar	bar
Taratura di fabbrica: Factory setting:	1,4 - 2,8	1,8 - 3	5 - 7	1,4 - 2,8	1,8 - 3	5 - 7
Réglage d'usine:	bar	bar	bar	bar	bar	bar
Differenziale minimo: Min differential:	0,6	0,8	1,5	0,6	0,8	1,5
Écart mini:	bar	bar	bar	bar	bar	bar
Differenziale massimo: Max differential	2,3	2,2	5	2,3	2,2	5
Écart maxi:	bar	bar	bar	bar	bar	bar
Corrente nominale: Rated current:	16A	16A	16A	16A	16A	16A
Courant nominal:	(10)A	(10)A	(10)A	(10)A	(10)A	(10)A
Tensione nominale: Rated voltage:	250V	250V	250V	500V	500V	500V
Tension nominale:						

A richiesta / Upon request / Sur demande:



TÜV, Germany



SEMKO, Sweden



NEMKO, Norway



MEEI, Hungary



UR, United States of America

CERTIFICATIONS/COMPLIANCES



Conformità alla Direttiva 2002/96/CE (RoHS)
Compliant to 2002/96/CE Regulation
Conformément à la norme 2002/96/CE