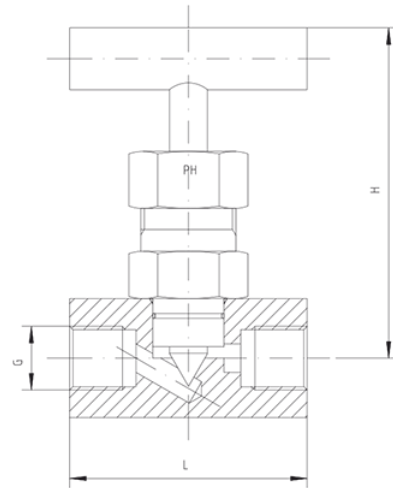
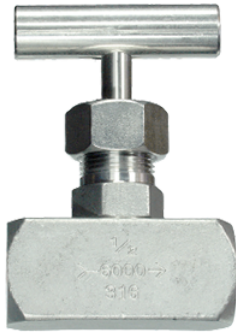


Rubrik 13.30

Needle Valves



With Stuffing Box Packing - PTFE

BSP Female Thread DIN / ISO 228

NPT Female Thread

Temperature: -20°C up to +200°C

Note: Adjust stuffing box packing (PTFE) prior to initial working period.

Pressure	Thread	Approx. Dimensions mm		Order-Code
		H	L	
PN	G			

Series BSP

420	1/8" zyl	66,0	59,0	NV-G 1/8"-BSP
420	1/4" zyl	66,0	59,0	NV-G 1/4"-BSP
420	3/8" zyl	66,0	59,0	NV-G 3/8"-BSP
420	1/2" zyl	66,0	65,0	NV-G 1/2"-BSP
420	3/4" zyl	94,5	70,0	NV-G 3/4"-BSP
420	1" zyl	94,5	80,0	NV-G 1"-BSP

Series NPT

420	1/8" NPT	66,0	59,0	NV-1/8"-NPT
420	1/4" NPT	66,0	59,0	NV-1/4"-NPT
420	3/8" NPT	66,0	59,0	NV-3/8"-NPT
420	1/2" NPT	66,0	65,0	NV-1/2"-NPT
420	3/4" NPT	94,5	70,0	NV-3/4"-NPT
420	1" NPT	94,5	80,0	NV-1"-NPT