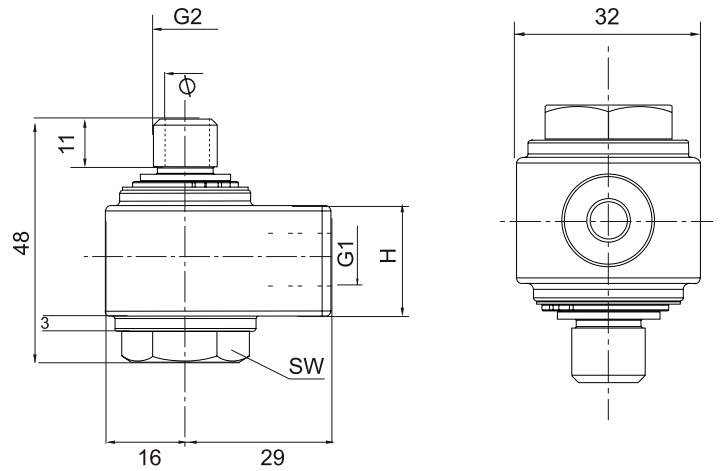




90° Stainless Steel Swivels 300 090 330 Serie

90° Stainless Steel Swivels

Product nr.	300 090 330 Serie
Max Temperature	120°C
Pressure	200BAR
Max RPM	40RPM
Body Material	Stainless Steel
Internal Part	Stainless Steel
Seal	O-ring
Bearing	Sliding
Weight	240g


Features

- Stainless steel 304 housing
- Stainless steel 316 internal part
- Easy turning connection for high pressure hoses
- Suitable for high pressure conditions
- Ceiling boom carwash system and hose reel

Product Parts

Product nr.	G1	G2	SW	H	Ø
300 090 330	1/4" F	1/4" M	22	22	7
300 090 331	3/8" F	3/8" M	22	22	7
300 090 332	1/4" F	3/8" M	22	22	7