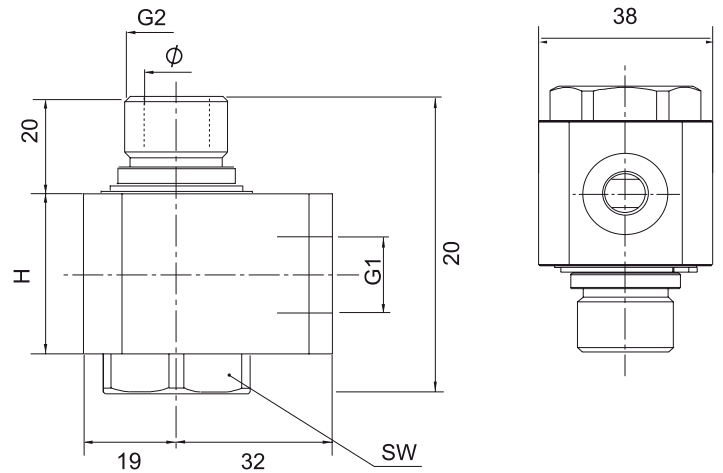




90° Stainless Steel Swivels 300 090 340 Serie

90° Stainless Steel Swivels

Product nr.	300 090 340 Serie
Max Temperature	120°C
Pressure	350BAR
Max RPM	40RPM
Body Material	Stainless Steel
Internal Part	Stainless Steel
Seal	O-ring
Bearing	Sliding
Weight	420g


Features

- Stainless steel housing
- Stainless steel internal part
- Easy turning connection for high pressure hoses
- Suitable for high pressure conditions
- Ceiling boom carwash system and hose reel

Product Parts

Product nr.	G1	G2	SW	H	Ø
300 090 344	1/2" F	1/2" M	30	33	10
300 090 345	1/2" F	3/8" M	30	33	6
300 090 346	3/8" F	1/2" M	30	33	10
300 090 347	3/8" F	3/8" M	30	33	6