

CONTROL BOXES FOR 3" AND 4" ELECTRIC MOTORS



ELECTRIC CONTROL BOX WITH CAPACITOR FOR SUBMERSIBLE ELECTRIC PUMPS MONOPHASE 220V FROM 0,5 TO 3 HP:

- thermic protection externally restoring;
- Starting capacitor
- bipolar shining switch box activated
- Container in insulating thermoplastic material
- Float switch external commands or pressure switch .

The control boxes are designed and constructed according to the following European Community Directives:

- Low Voltage Directive (LVD) 73/23/CEE
- Electromagnetic Compatibility Directive (EMC) 89/336/CEE
- 93/68/CEE Directive

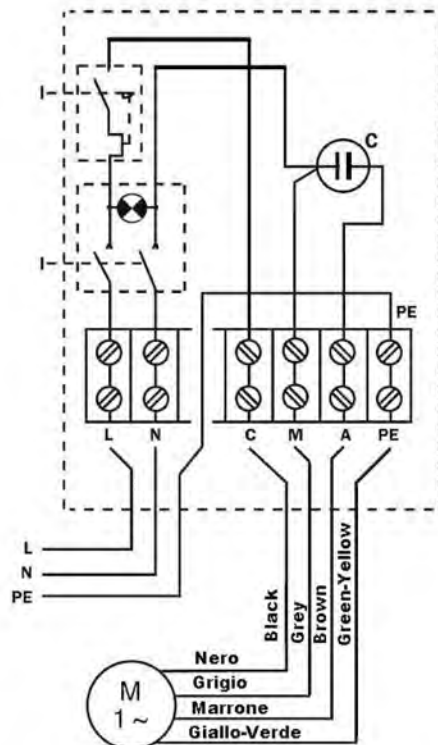
And meet the following technical standards:

- CEI EN 61058-1 (1992) – CEI EN 61058-1/A1 (1993)
- CEI EN 60934 (2001) – CEI EN 60998-1 (1995)
- CEI EN 60998-2-1 (1993) – CEI EN 60252 (1994)

INSTRUCTION FOR CONNECTION

The electrical connections can be made only by authorized and specialized personnel. The manufacturer declines any responsibility for incorrect installation or connection of the product.

- For connections refer to the above diagram and also to the letters reported on terminal board (LNCMA-symbol of earth).
- Connect the external input (230V 50Hz) to the L-N-PE terminals. The n.4 conductors of the electric motor must be connected in the C-M-A-PE terminals.



ORLANDO srl

Code	HP	KW	Thermal Protection	Capacitor	Motor
Q 16 4	0.5	0.37	4	16 uf	Franklin/Sumoto OP3/TeslaGG
Q 16 6	0.5	0.37	6	16 uf	Orlando 3"
Q 20 4	0.5	0.37	4	20 uf	Sumoto OP4
Q 20 5	0.5	0.37	5	20 uf	Orlando 4" / Submotor
Q 20 6	0.75	0.55	6	20 uf	Orlando 3"/Franklin/Sumoto OP3 e 4WP/ TeslaGG
Q 25 6	0.75	0.55	6	25 uf	Orlando 4"/Sumoto OP4
Q 25 7	1.0	0.75	7	25 uf	Sumoto OP3/ TeslaGG / Submotor
Q 25 8	1.0	0.75	8	25 uf	Orlando 3"
Q 30 7	1.0	0.75	7	30 uf	Sumoto 4WP
Q 35 7	1.0	0.75	7	35 uf	Franklin/Sumoto OP4
Q 35 8	1.0	0.75	8	35 uf	Orlando 4" / Submotor
Q 35 9	1.5	1.1	9	35 uf	TeslaGG
Q 35 12	1.5	1.1	12	35 uf	Orlando 3"
Q 40 10	1.5	1.1	10	40 uf	Orlando 4"/Franklin
Q 40 11	1.5	1.1	10	40 uf	Submotor
Q 40 12	1.5	1.1	12	40 uf	Sumoto OP4 - 4WP
Q 40 13	2	1.5	13	40 uf	TeslaGG
Q 50 13	2.0	1.5	13	50 uf	Orlando 4"/Franklin
Q 50 15	2.0	1.5	15	50 uf	Sumoto 4WP
Q 60 14	2.0	1.5	14	60 uf	Submotor
Q 60 15	2.0	1.5	15	60 uf	Sumoto OP4
Q 60 16	3.0	2.2	16	60 uf	TeslaGG
Q 70 18	3.0	2.2	18	70 uf	Sumoto 4WP
Q 75 18	3.0	2.2	18	75 uf	Franklin
Q 80 18	3.0	2.2	18	80 uf	Orlando 4"
Q 80 20	3.0	2.2	20	80 uf	Sumoto OP4 / Submotor
Q 90 25	5.0	3.7	25	90 uf	TeslaGG



Q SONDA UNI SL 100:
UNI SL 100 unipolar probe, stainless steel electrode, grey body and
Cable gland 1 x 1,5 mm²



Q SONDA BLU:
Stainless steel probe, blue color