

## MINIMATIC C - LEVEL SWITCH FOR CLEAN WATER



Cod. MT MI 10...: ( 10A)



Cod. MT MI 16...: ( 16A)

\* Both models can be supplied with 2,3,5,7,10, 15 or 20 mt cable

### FLOAT SWITCH FOR CLEAN WATER

*Float switch insensitive to humidity and condensation (patented).*

*Water resistant to 100 m depth with microswitch electric contacts / change over.*

### USE

Level control for filling and emptying tanks or cisterns.

#### INFORMATION:

- Level regulator for liquids. • Device of command on flexible cable.
- Right for environment at normal pollution. • Power supply cable not replaceable. in case of damage the entire device must be rejected.

**TYPE OF ACTION 1B**

MAX WORKING TEMPERATURE 55°C

AVAILABLE CABLES: PVC - NEOPRENE

### TECHNICAL CHARACTERISTICS

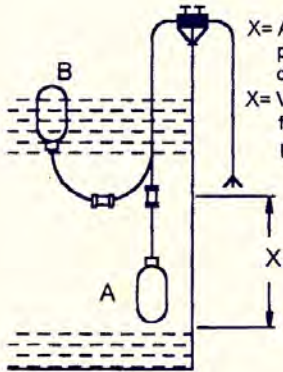
- Single outer casing piece in blowmoulded Polyethylene
- inner chamber built as a single blowmoulded piece for the switch and ball seat.
- Change over microswitch.
- Stainless steel ball.
- Non-hygroscopic closed cell injection of expanded polyurethane in the regulator to eliminate air and to hermetically seal the unit.
- Max. working pressure 10 bar

Dati di Omologazione / Homologation data

	(10 A)
tensione d'esercizio rated voltage	250V.c.a.
carico resistivo resistive load	10A
carico induttivo inductive load	4A
pressione max di lavoro max working pressure	10 BAR



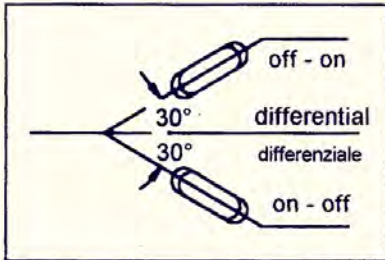
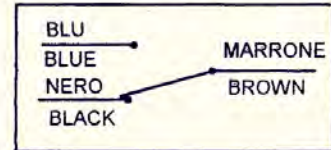
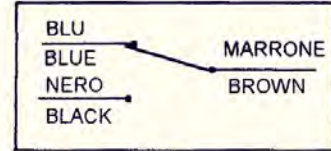
## INSTALLAZIONE/INSTALLATION



X= Altezza variabile del contrappeso per la regolazione del punto superiore di funzionamento  
 X= Variable height of counterweight for adjustment of upper operating point

A) Terminali Blu e Marrone - con questi contatti il galleggiante chiude basso apre alto  
 Wires Blu - Brown - with these contacts the regulator closes when down and opens when up

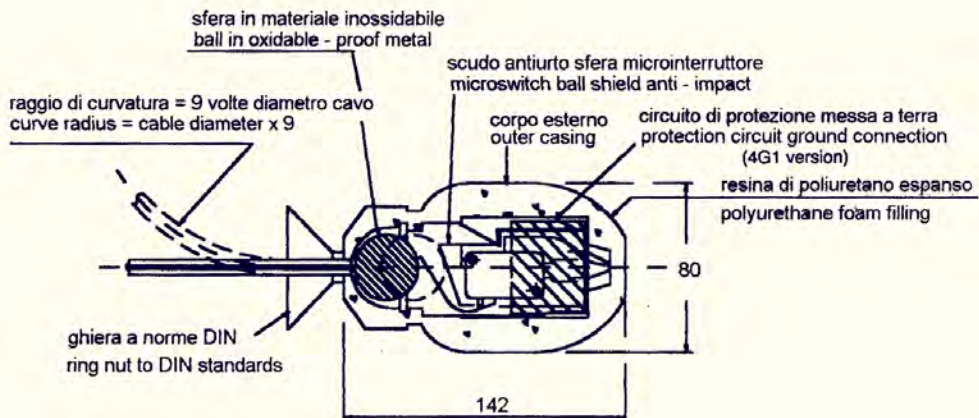
B) Terminali Nero e Marrone - con questi contatti il galleggiante chiude alto apre basso  
 Wires Black - Brown - with these contacts the regulator closes when up and opens when down



### Dati di omologazione / Homologation data

tensione d'esercizio  
 rated voltage  
 carico resistivo  
 resistive load  
 carico induttivo  
 inductive load  
 pressione max di lavoro  
 max working pressure

(10A)
250V. c.a.
10A
4A
10 BAR



CONTRAPPESO A RICHIESTA  
 COUNTERWEIGHT ON REQUEST