

SUBMERGED FLOAT SWITCH FOR SEWER SYSTEMS

N = with neoprene cable

PVC = with PVC cable



Cod: MT ME N B MC...

Cod: MT ME PVC B MC...

* Both models can be supplied with 2,5,10,15 or 20 mt cable

USE

Regulation of particularly turbulent industrial waters containing residues of suspended agglomerates, or of sewer waters.

The submerged float switch model **MERCURY/MC** consists of:

- A single outer piece in blowmoulded Polyethylene.
- Internal weight fixing the rotation centre (gravity centre) close to the cable connection.
- Self-cleaning contacts 10A 250 V a.c electric control switch with high distance between the contacts.

The float switch is filled with closed cells nonhygroscopic expanded polyurethane, eliminating all air, sealing the unit and completely surrounding the electric control switch.

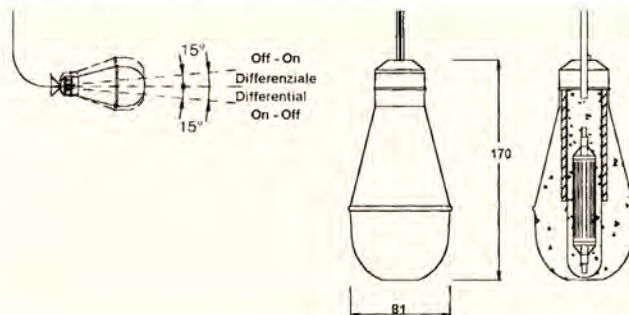
MAX WORKING TEMPERATURE 55°C
AVAILABLE CABLES: PVC - NEOPRENE

Submerged float switch (patented).

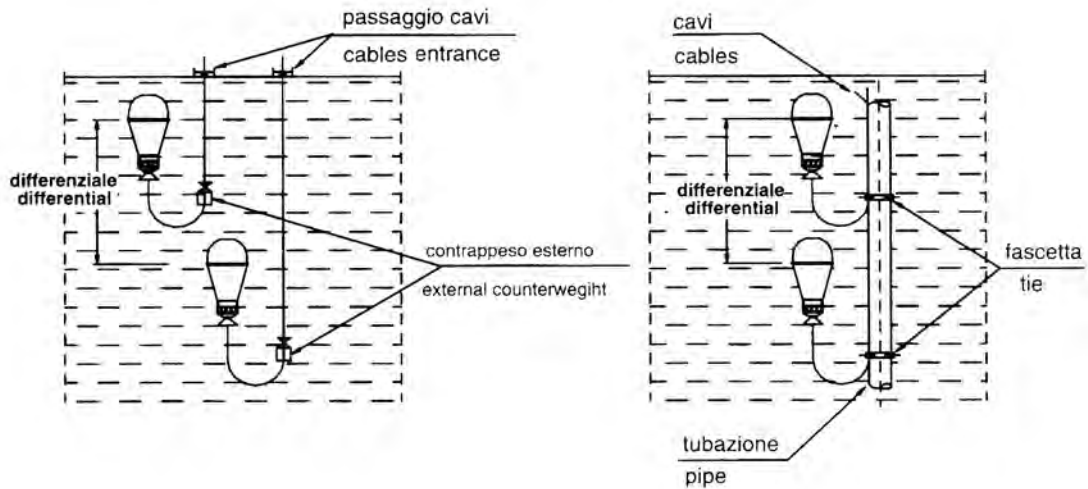
Water-resistant to 100 m depth, insensitive to humidity and condensation,

with new concept electric contacts consisting of:

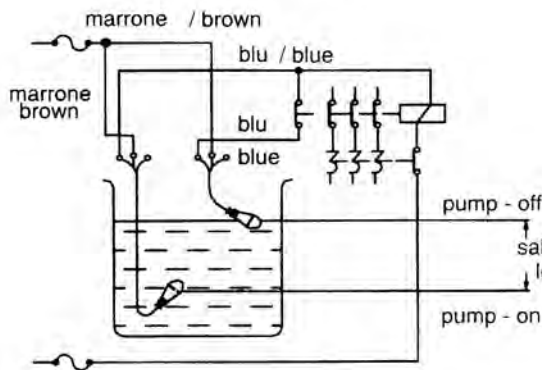
- Change over 10 A 250 V self-cleaning switch, by each operation, with a high distance between contacts.



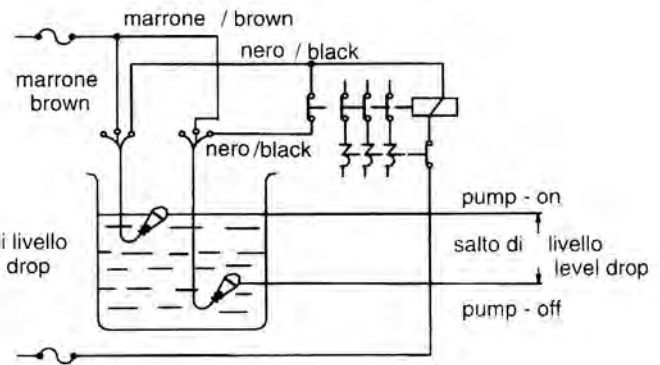
INSTALLATION



schema di collegamento per pompa di riempimento
wiring diagram for filling pump



schema di collegamento per pompa di svuotamento
wiring diagram for emptying pump



ACCESSORIES ON REQUEST



Suspended cable gland



Counterweight 360 gr.



Standard counterweight