

MM12.5C

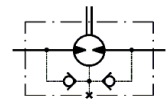
PRODUCT FEATURE SUMMARY

DATE: 11.11.2019

Username: Dani Trading

MODEL TYPE: MM12.5C

| | |
|--|--|
| CNSORDERNO (Order number) | MM12.5C |
| AO (Adjustment Option) | omit: without valve |
| MF (Mounting Flange) | omit: Three bolts mount |
| PT (Port type) | omit: Rear ports |
| DC (Displacement code) | 12.5: 12,9 cm ³ /rev [.79 in ³ /rev] |
| SE (Shaft Extensions) | C: ø16 straight, Parallel key A5x5x16 DIN6885 |
| P (Ports) | omit: BSPP (ISO 228) |
| LC (Line to control) | - |
| VPR (Valve Rated Pressurebar) | - |
| SFMS (Special Features Measure speed) | omit: no special features |
| SFGWS (Special Features of gear wheel set) | omit: no special features |
| SFDR (Special Features - Direction of rotation) | omit: Standard |
| OP (Option (Paint)) | omit: no paint |
| INFO (Info) | PDF catalog |
| L (mm) | 106 |
| L1 (mm) | 5.5 |



DATA SHEET

| Type | |
|--|--------------------------------------|
| Displacement, cm³/rev [in³/rev] | 12,9[.79] |
| Max. Speed, [RPM] | cont. |
| | 1550 |
| Int.* | 1940 |
| | Max. Torque, daNm [lb-in] |
| 1,6 [150] | |
| Int.* | 2,3 [205] |
| | Max. Output, kW [HP] |
| 2,4 [3.3] | |
| Int.* | 3,2 [4.3] |
| | Max. Pressure Drop, bar [PSI] |
| 105 [1500] | |
| Int.* | 140 [2030] |
| | Max. Oil Flow, lpm [GPM] |
| 20 [5.5] | |
| Int.* | 25 [6.6] |

| Type | |
|---|-----------------------------|
| Max. Inlet Pressure, bar [PSI] | cont. |
| | 140 [2030] |
| | Int.* |
| 175 [2540] | peak** |
| | 225 [3260] |
| Max. Return Pressure with Drain Line bar [PSI] | cont. |
| | 140 [2030] |
| | Int.* |
| 175 [2540] | peak** |
| | 225 [3260] |
| Pressure with Unloaded Shaft, bar [PSI] | |
| Min Starting Torque, daNm [lb-in] | at max. press. drop cont. |
| | 105 [1,2] |
| 150 [1,7] | at max. press. drop Int.* |
| | Min. Speed***, [RPM] |
| 40 | Weight, kg [lb] |
| 2,0 [4.41] | |

* Intermittent operation: the permissible values may occur for max. 10% of every minute.

** Peak load: the permissible values may occur for max. 1% of every minute.

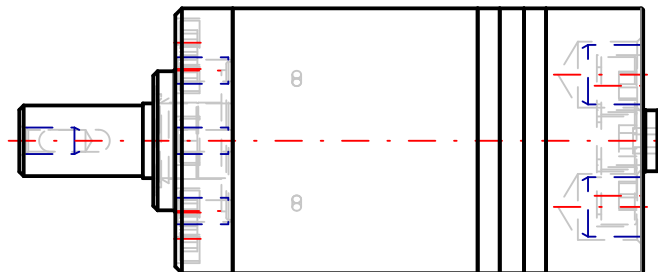
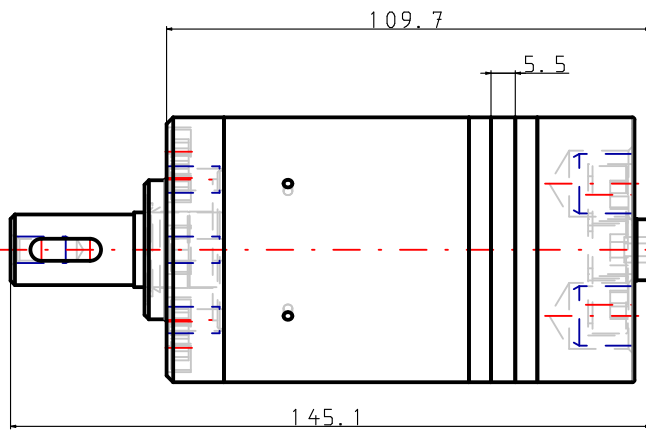
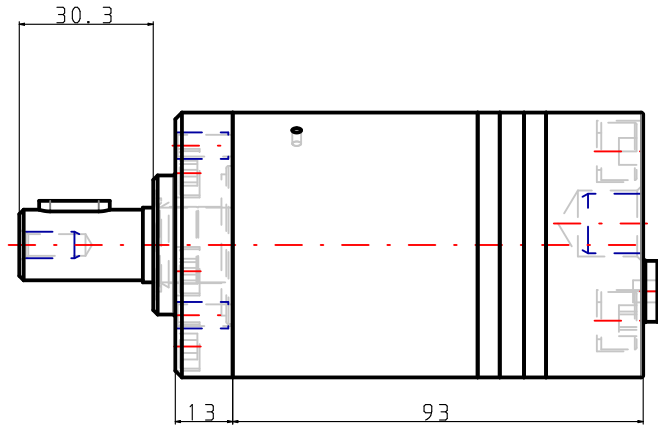
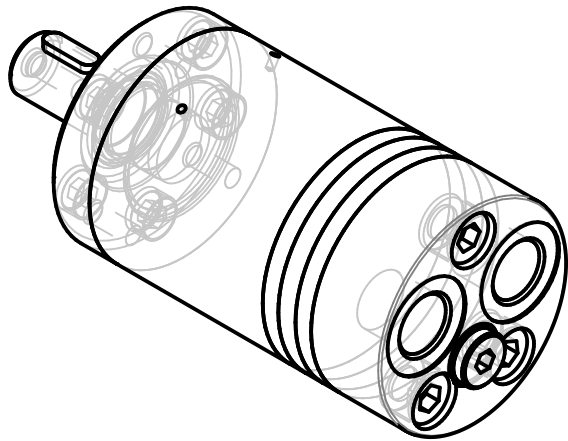
*** For speeds lower than given, consult factory or your regional manager.

- Intermittent speed and intermittent pressure drop must not occur simultaneously.
- Recommended filtration is per ISO cleanliness code 20/16. A nominal filtration of 25 micron or better.
- Recommend using a premium quality, anti-wear type mineral based hydraulic oil HLP(DIN51524) or HM (ISO 6743/4). If using synthetic fluids consult the factory for alternative seal materials.
- Recommended minimum oil viscosity 13 mm²/s [70 SUS] at 50°C [122°F].
- Recommended maximum system operating temperature is 82°C [180°F].
- To assure optimum motor life fill with fluid prior to loading and run at moderate load and speed for 10-15 minutes.

MM12.5C

3d generated view

To see model in 3D you should use Acrobat Reader with enable 3D view



NOTE: Showed dimensions are in nominal, for maximal values see table.

NOTE: For additional dimensions and information about flange , shaft , endcover , etc. see next page.

| L max | LS max |
|-------|--------|
| 106 | |

Confidential property of M+S Hydraulic, Bulgaria.
Please note that this drawing is automatically generated based on the selection. In case of possible changes or revisions in the drawing specifications, the selection process should be repeat. M+S is not responsible for any possible errors on the drawings.



MM12.5C

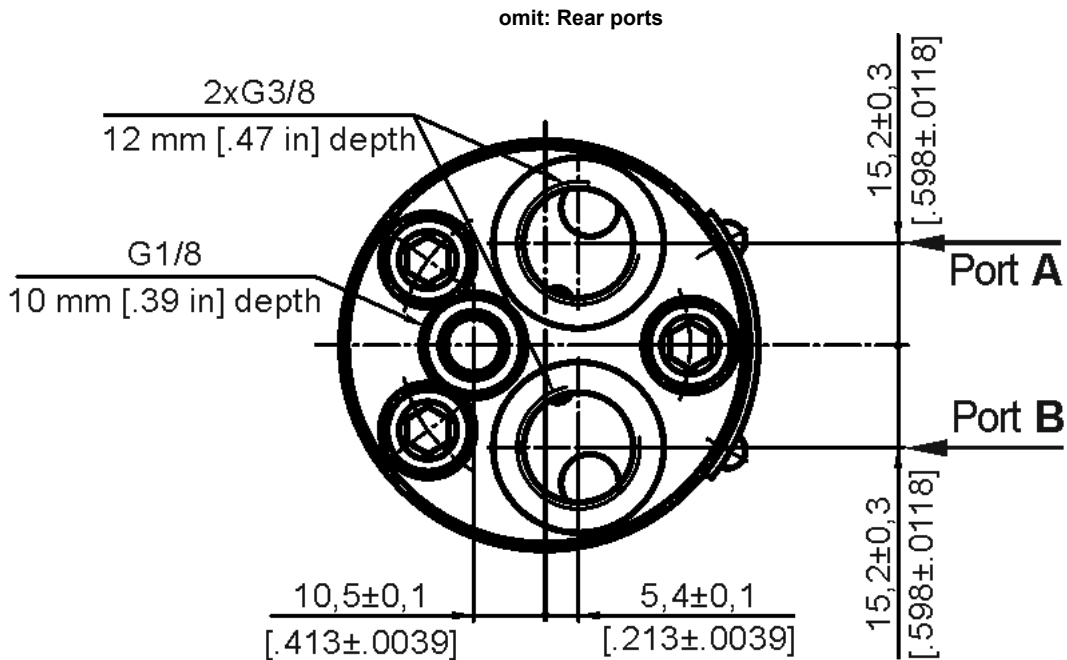
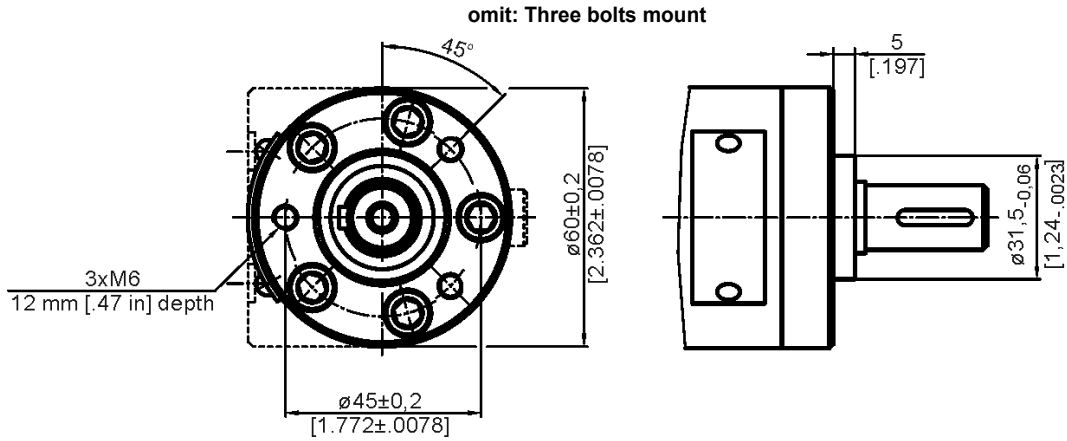
Design: M+S Check:

| Scale | Sheet | Rev. | Weight |
|-----------------|-------|------|------------|
| Date 11.11.2019 | | | 2.0 [4.41] |

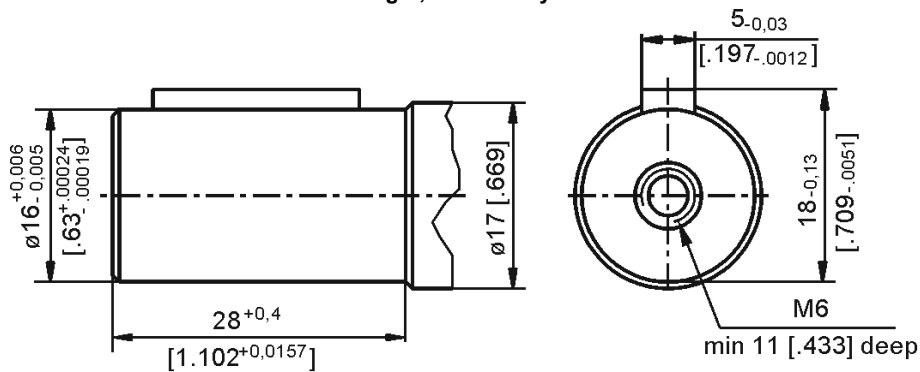


Standard Rotation
Viewed from Shaft End

Port A Pressurized - CW
Port B Pressurized - CCW



C: ø16 straight, Parallel key A5x5x16 DIN6885

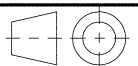


Confidential property of M+S Hydraulic, Bulgaria.
Please note that this drawing is automatically
generated based on the selection. In case of
possible changes or revisions in the drawing
specifications, the selection process should be
repeat.M+S is not responsible for any possible
errors on the drawings.

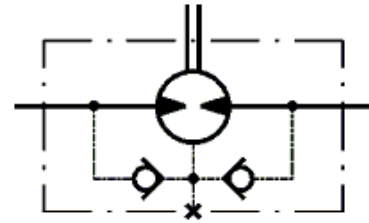


MM12.5C

| | | | |
|-----------------|-------|------|------------|
| Scale | Sheet | Rev. | Weight |
| Date 11.11.2019 | | | 2.0 [4.41] |

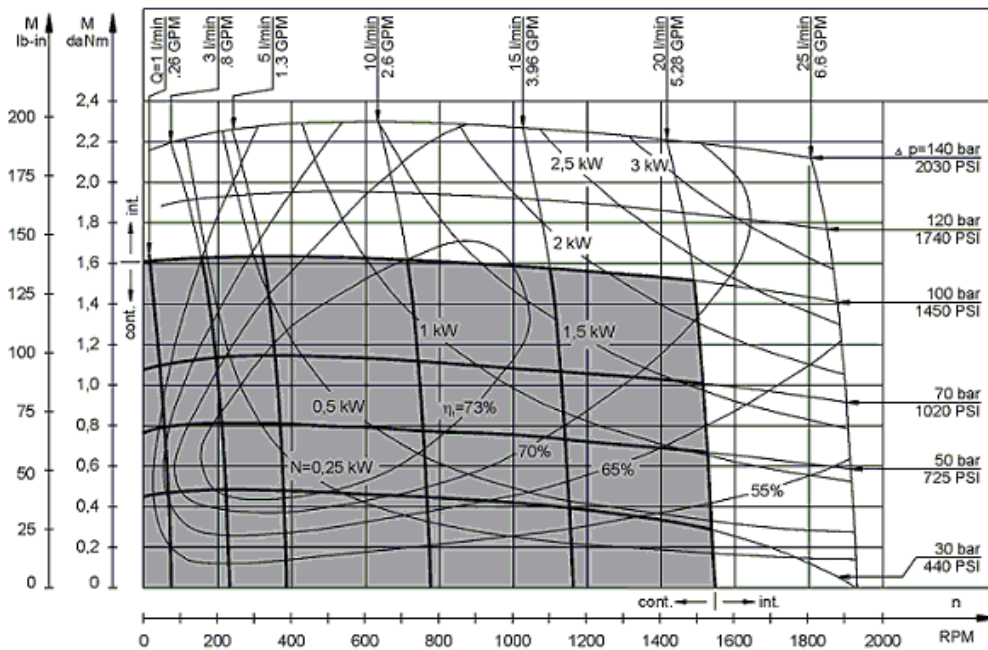


MM12.5C



Hydraulic scheme with check valves

FUNCTION DIAGRAMS

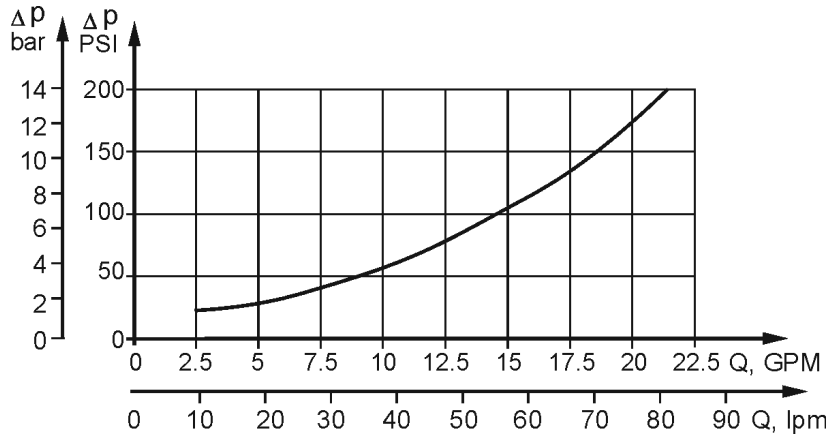


The function diagrams data is for average performance of randomly selected motors at back pressure 5÷10 bar [72.5÷145 PSI] and oil with viscosity of 32 mm²/s [150 SUS] at 50°C [122°F].

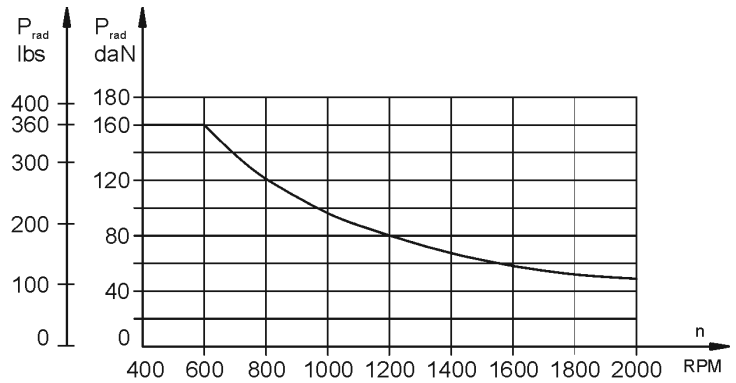
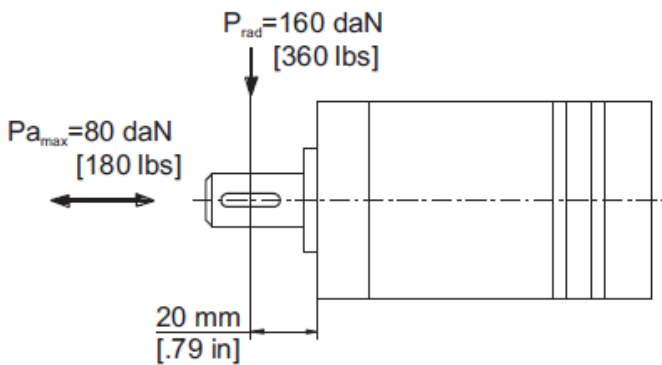
MM12.5C

DATA SHEET

Pressure Losses



PERMISSIBLE SHAFT LOADS



The chart shows the permissible radial load when L=20 mm [.79 in]. If the calculated shaft load exceeds the permissible one, a falexible coupling must be used.

For more detail information about premissible shaft load please check our full catalogue