

HK TLA F 4 G1

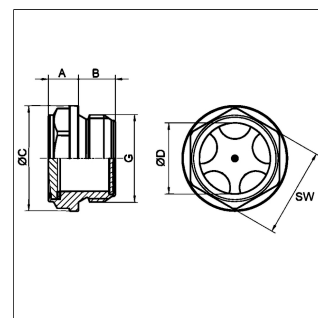
Ölschauglas AGR1" AL

HANSA FLEX

Last updated: 21/10/2024

Properties

Design	suitable only for mineral oil
Temp. max.	100 °C
Material	aluminium
Max. working pressure	5 bar
Customs tariff number	90261089



The product image may differ

Product details

A (mm)	12
Ø C (mm)	40
G	G 1" -11

B (mm)	13.5
Ø D (mm)	27
SW (mm)	34

HEX = SW = width across flats